

锡柴[®] 中国驰名商标

CA6DM2 系列柴油机零件图册

PARTS CATALOGUE FOR CA6DM2 SERIES DIESEL ENGINES



生产许可证
XK06-002-00014



一汽解放汽车有限公司无锡柴油机厂

FAW JIEFANG AUTOMOTIVE COMPANY, LTD. WUXI DIESEL ENGINE WORKS

CA6DM2 柴油机零件图册

PARTS CATALOGUE FOR CA6DM2 DIESEL ENGINES

2008 年 8 月版

一汽解放汽车有限公司 无锡柴油机厂
FAW JIEFANG AUTOMOTIVE COMPANY,LTD. WUXI DIESEL ENGINE WORKS

一汽解放汽车有限公司无锡柴油机厂

FAW JIEFANG AUTOMOTIVE COMPANY, LTD. WUXI DIESEL ENGINE WORKS

地址：江苏省无锡市塘南一支路9号

Add: 9,1ST Tangnan Branch Road, Wuxi, Jiangsu, P. R.China

邮政编码：214026 电话号码：0510-85014990 传真号码：85016785

Postcode:214026 Tel:0510-85014990 Fax:85016785

| | | | | | |
|--------------------|----------------------|--------------------|----------------------|--------------------|----------------------|
| 编写 Editor: | 钱仕全 QianShiquan | 王世海 WangShihai | 姬腾飞 Ji Tengfei | 李兴建 LiXingjian | 张青巧 ZhangQingqiao |
| | 左广贤 Zuo Guangxian | 郭利升 Guo Lisheng | 李方龙 Li Fanglong | 周辉志 Zhou Huizhi | 康彦飞 Kang Yanfei |
| | 何旭 He Xu | 邓朝辉 DengZhaohui | 孔祥涛 Kong Xiangtao | 束玉玲 Shu Yuling | 骆蔚 Luo Wei |
| | 王金水 Wang Jinshui | 胡维嘉 HuWeijia | | | |
| 审核 Examination: | 唐颀 TangTing | 陆金龙 Lu Jinlong | 徐卫国 Xu Weiguo | 王平 Wang Ping | |
| 审定 Inspector: | 黄成海 HuangChenghai | 季一志 Ji Yizhi | 王一江 WangYijiang | | |

目 录

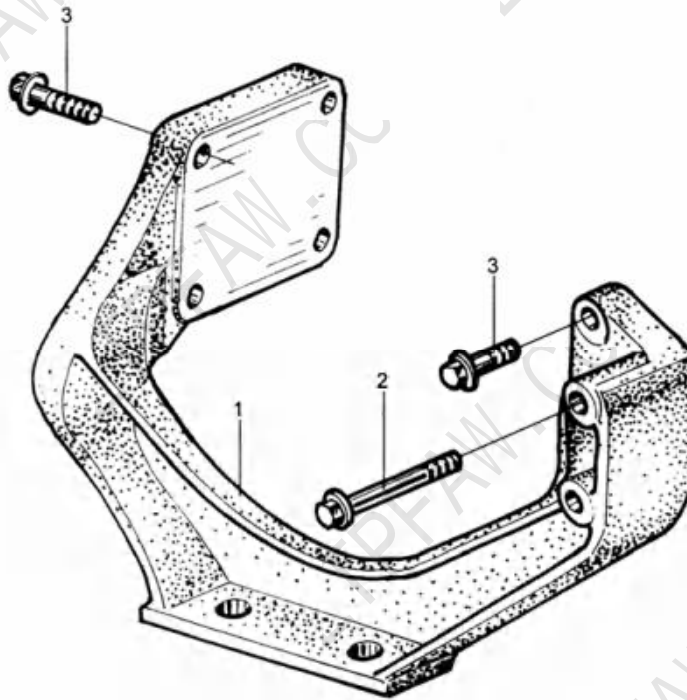
CONTENTS

| | |
|--|----|
| 1. 悬置组件 Suspension Assy | 1 |
| 2. 气缸体组件 Cylinder Block Assy | 5 |
| 3. 气缸体部件 Cylinder Block Assy | 11 |
| 4. 气缸盖组件 Cylinder Head Assy | 15 |
| 5. 气缸盖总成 Cylinder Head Assy | 19 |
| 6. 活塞连杆组件 Piston and Connecting Rod Assy | 23 |
| 7. 曲轴及飞轮组件 Crankshaft and Flywheel Assy | 27 |
| 8. 凸轮轴及正时齿轮组件 Camshaft and Timing Gear Assy | 31 |
| 9. 气门机构组件 Valve Mechanism Assy | 35 |
| 10. 进排气管组件 Intake and Exhaust Mainfold Assy | 39 |
| 11. 油底壳总成 Oil Sump Assy | 43 |
| 12. 机油收集器组件 Oil Suction Assy | 47 |
| 13. 机油泵组件 Oil Pump Assy | 51 |
| 14. 全流式机油滤清器组件 Full-flow Lubricating Oil Filter Assy | 55 |
| 15. 机油冷却器组件 Oil Cooler Assy | 59 |
| 16. 调压阀总成 Regulating Valve Assy | 63 |
| 17. 曲轴箱通风装置组件 Crankshaft Ventilation Installation Assy | 67 |
| 18. 离心式机油滤清器组件 Spin-on Oil Filter Assy | 71 |

| | |
|---|-----|
| 19. 张紧轮组件 Tension Wheel Assy | 75 |
| 20. 低压油管组件 Fuel Line,Low Pressure Assy | 79 |
| 21. 喷油泵组件 Fuel Injection Pump Assy | 83 |
| 22. 喷油器组件 Fuel Injector Assy | 87 |
| 23. 燃油滤清器组件 Fuel Filter Assy | 91 |
| 24. 涡轮增压器组件 Turbocharger Assy | 95 |
| 25. 高压油管组件 High Pressure Line Assy | 99 |
| 26. 放水开关组件 Water Drain Cock Assy | 103 |
| 27. 调温器组件 Thermostat Assy | 107 |
| 28. 水泵组件 Water Pump Assy | 111 |
| 29. 转向泵组件 Steering Pump Assy | 115 |
| 30. 空气压缩机组件 Air Compressor Assy | 119 |
| 31. 电控系统执行机构组件 Electronic Controller Assy | 123 |
| 32. 发电机组件 Generator Assy | 127 |
| 33. 起动机组件 Starter Assy | 131 |
| 34. 空气加热器组件 Air Heater Assy | 135 |
| 35. 空调压缩机组件 Conditioner Compressor Assy | 139 |
| 36. 电气设备组件 Wiring Harness Assy | 143 |
| 附录：一汽解放汽车有限公司无锡柴油机厂营销公司各驻外机构通讯录 | 148 |

1. 悬置组件 Suspension Assy

1. 1001000-81D 悬置组件 Suspension Assy



1. 1001000-81D 悬置组件 Suspension Assy

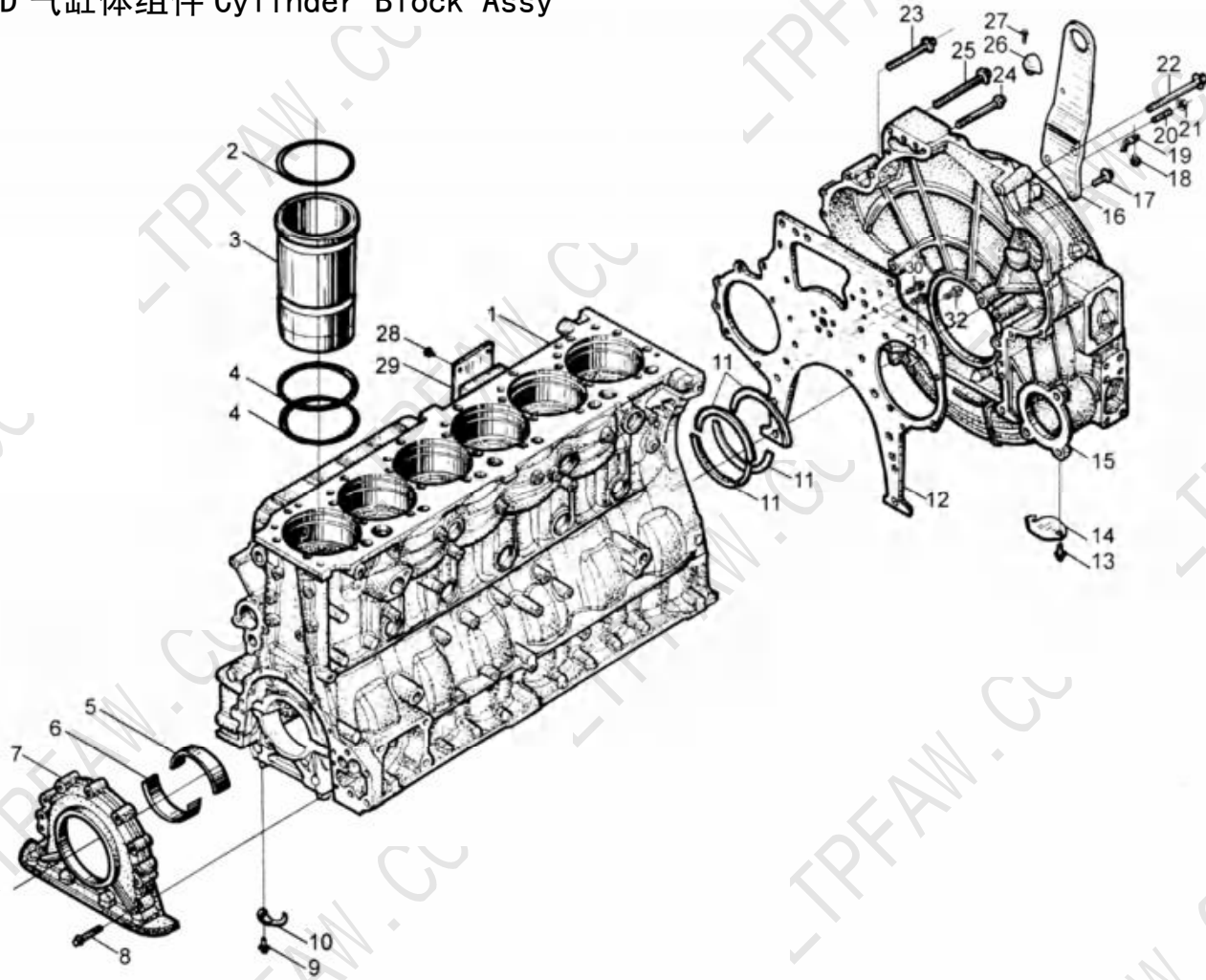
| 序号 Item | 零件件号 Part NO. | 零件名称 Description | 数量 Quantity | 备注 Remarks |
|------------|------------------|-------------------------------------|-------------|---------------|
| | | | 81D | |
| 1 | 1001011-81D | 前悬置支架组件 Front suspension bracket | 1 | |
| 2 | Q18414120 | 六角法兰面螺栓 Bolt with flange | 2 | |
| 3 | Q1841450 | 六角法兰面螺栓 Bolt with flange | 6 | |

维修纪录 Service memo

| 日期 | 公里小时或时间间隔 | 实际里程 | 保养内容 | 备注 |
|----|-----------|------|------|----|
| | | | | |
| | | | | |
| | | | | |
| | | | | |
| | | | | |
| | | | | |
| | | | | |
| | | | | |
| | | | | |
| | | | | |
| | | | | |
| | | | | |
| | | | | |
| | | | | |

2. 气缸体组件 Cylinder Block Assy

2. 1002000-81D 气缸体组件 Cylinder Block Assy



2. 1002000-81D 气缸体组件 Cylinder Block Assy

| 序号 Item | 零件件号 Part NO. | 零件名称 Description | 数量 Quantity | | 备注 Remarks |
|------------|------------------|---|-------------|--|---------------|
| | | | 81D | | |
| 1 | 1002010-81D | 气缸体部件 Cylinder block assy | 1 | | |
| 2 | 1002019-81D | O型橡胶密封圈 O-ring | 6 | | |
| 3 | 1002016-81DG | 气缸套 Cylinder liner | 6 | | |
| | 1002016-81DY | 气缸套 Cylinder liner | 6 | | |
| 4 | 1002017-81D | O型橡胶密封圈 O-ring | 12 | | |
| 5 | 1002034-81D | 上主轴瓦 Main bearing shell, upper half | 7 | | |
| 6 | 1002035-81D | 下主轴瓦 Main bearing shell, lower half | 7 | | |
| 7 | 1002056-81D | 曲轴前油封座 Front oil sealing retainer | 1 | | |
| 8 | Q1821055 | 六角法兰面螺栓 Bolt with flange | 9 | | |
| 9 | 1002214A53D | 螺栓—活塞冷却喷嘴总成 Bolt-Piston cooling jet assy | 6 | | |
| 10 | 1002200-81D | 活塞冷却喷嘴部件 Piston cooling jet assy | 6 | | |
| 11 | 1002036-53D | 止推片 Stop washer | 4 | | |
| 12 | 1002076-81D | 齿轮室罩盖盖板 Plate of gear casing cover | 1 | | |
| 13 | Q1840816 | 六角法兰面螺栓 Bolt with flange | 2 | | |
| 14 | 1002067-29D | 盖板—飞轮壳 Plate of gear casing cover | 1 | | |

2. 1002000-81D 气缸体组件 Cylinder Block Assy

| 序号 Item | 零件件号 Part NO. | 零件名称 Description | 数量 Quantity | | 备注 Remarks |
|------------|--|---------------------|----------------------------|----|---------------|
| | | | 81D | | |
| 15 | 1002061-81d | 齿轮室罩盖—飞轮壳 | Flywheel-housing | 1 | |
| 16 | 1002044-81D | 后吊耳 | Rear lifting eye | 1 | |
| 17 | Q1841230 | 六角法兰面螺栓 | Bolt with flange | 2 | |
| 18 | Q2140606 | 十字槽盘头螺钉 | Cross recess head screw | 2 | |
| 19 | 1002066-29D | 指针—飞轮壳 | Indicator | 1 | |
| 20 | 1002043-29D | 双头螺栓—飞轮壳 | Stud-flywheel housing | 12 | |
| 21 | Q32010 | 六角法兰面螺栓 | Bolt with flange | 12 | |
| 22 | Q18214130 | 六角法兰面螺栓—细杆 | Bolt with flange-thinrod | 1 | |
| 23 | 1006056-53D | 螺栓—中间正时齿轮轴 | Bolt-timing idle gearshaft | 2 | |
| 24 | Q18214110 | 六角法兰面螺栓—细杆 | Bolt with flange-thin rod | 1 | |
| 25 | Q18214120 | 六角法兰面螺栓—细杆 | Bolt with flange-thin rod | 10 | |
| 26 | 1002068B29D | 飞轮壳橡胶堵塞 | Rubber cover of fly wheel | 1 | |
| 27 | Q1840612 | 六角法兰面螺栓 | Bolt with flange | 2 | |
| 28 | Q541026 | 标牌铆钉 | Rive-for fixing name plate | 4 | |
| 29 | 1002091A621-0000W 1002091-621-0000Y | 铭牌 | Engine name platc | 1 | |

2. 1002000-81D 气缸体组件 Cylinder Block Assy

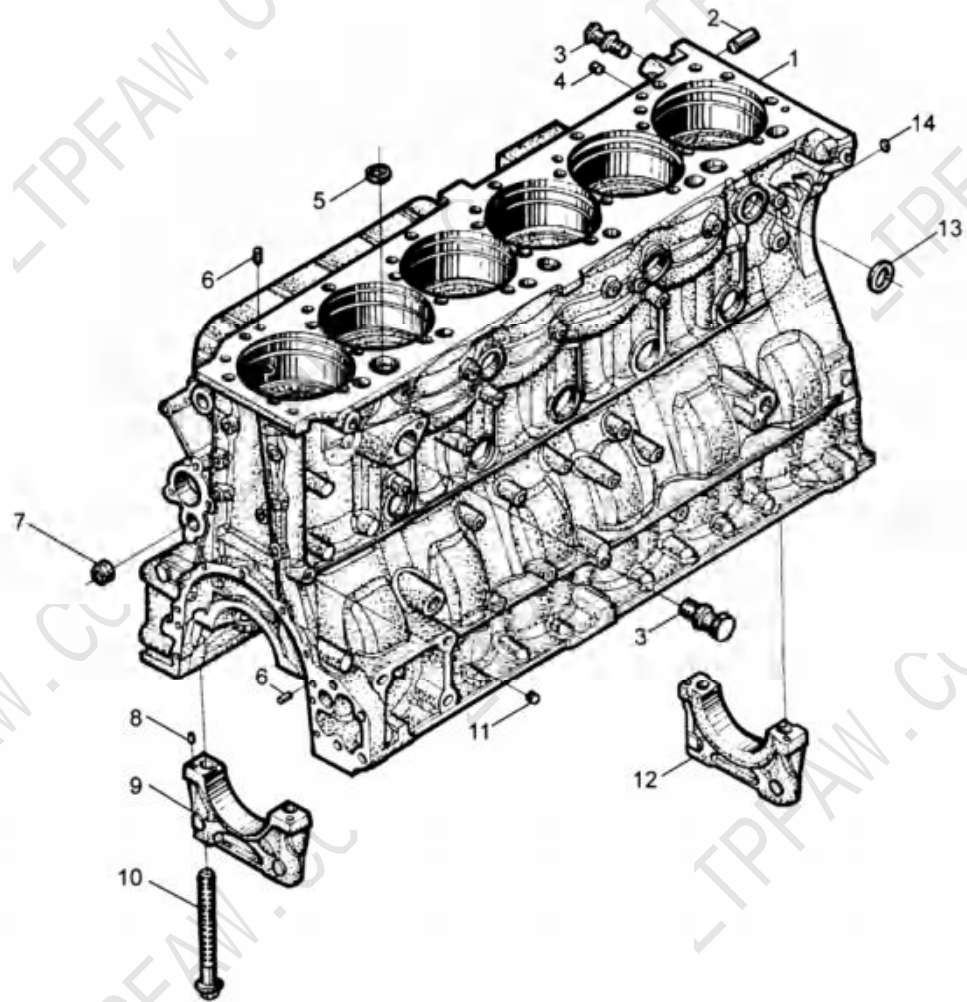
| 序号 Item | 零件件号 Part NO. | 零件名称 Description | | 数量 Quantity | 备注 Remarks |
|------------|------------------|---------------------|------------------|-------------|---------------|
| | | | | 81D | |
| 30 | Q1840820 | 六角法兰面螺栓 | Bolt with flange | 2 | |
| 31 | Q1841025 | 六角法兰面螺栓 | Bolt with flange | 6 | |
| 32 | Q1841020 | 六角法兰面螺栓 | Bolt with flange | 1 | |

维修纪录 Service memo

| 日期 | 公里小时或时间间隔 | 实际里程 | 保养内容 | 备注 |
|----|-----------|------|------|----|
| | | | | |
| | | | | |
| | | | | |
| | | | | |
| | | | | |
| | | | | |
| | | | | |
| | | | | |
| | | | | |
| | | | | |
| | | | | |
| | | | | |
| | | | | |
| | | | | |

3. 气缸体部件 Cylinder Block Assy

3. 1002010-81D 气缸体部件 Cylinder Block Assy



3. 1002010-81D 气缸体部件 Cylinder Block Assy

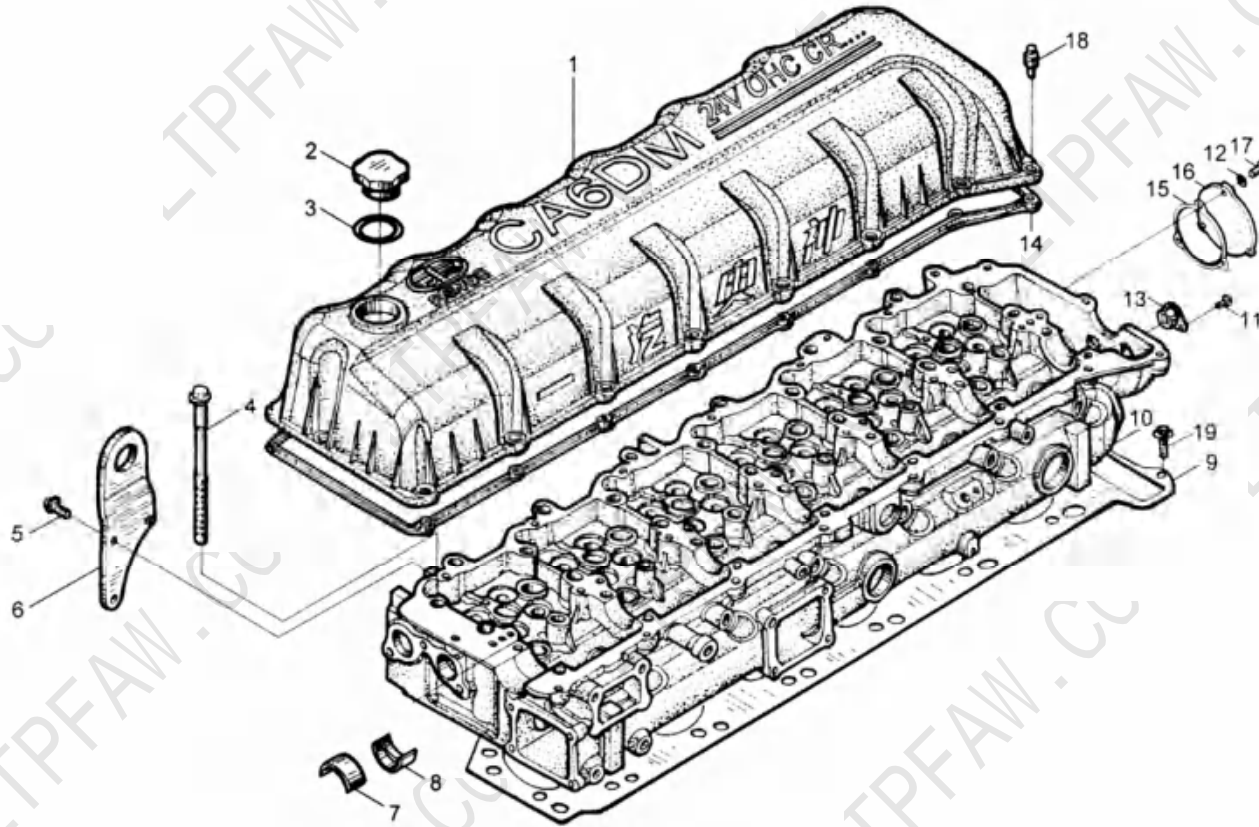
| 序号 Item | 零件件号 Part NO. | 零件名称 Description | 数量 Quantity | | 备注 Remarks |
|------------|------------------|-----------------------------------|-------------|--|---------------|
| | | | 81D | | |
| 1 | 1002014-81D | 气缸体 Cylinder block | 1 | | |
| 2 | Q5211232 | 圆柱销 Straight pin | 2 | | |
| 3 | 1002021-53D | 起重螺栓 Lifting bolt | 2 | | |
| 4 | 1002023-81D | 闷头—气缸体 Bulk head | 1 | | |
| 5 | Q72232 | 碗形塞片 Bowl-shaped plug plate | 3 | | |
| 6 | Q5211020 | 圆柱销 Straight pin | 4 | | |
| 7 | Q61906 | 内六角锥型螺塞 Socket head taper plug | 1 | | |
| 8 | Q5210814 | 圆柱销 Straight pin | 14 | | |
| 9 | 1002011-81D | 主轴承盖 Main bearing cap | 6 | | |
| 10 | 1002013A53D | 主轴承螺栓 Main bearing bolt | 14 | | |
| 11 | Q61902 | 内六角锥型螺塞 Socket head taper plug | 1 | | |
| 12 | 1002012-81D | 后轴承盖 Rear main bearing cap | 1 | | |
| 13 | Q72240 | 碗形塞片 Bowl-shaped plug plate | 11 | | |
| 14 | Q72224 | 碗形塞片 Bowl-shaped plug plate | 1 | | |

维修纪录 Service memo

| 日期 | 公里小时或时间间隔 | 实际里程 | 保养内容 | 备注 |
|----|-----------|------|------|----|
| | | | | |
| | | | | |
| | | | | |
| | | | | |
| | | | | |
| | | | | |
| | | | | |
| | | | | |
| | | | | |
| | | | | |
| | | | | |
| | | | | |
| | | | | |
| | | | | |

4. 气缸盖组件 Cylinder Head Assy

4. 1003000-81D 气缸盖组件 Cylinder Head Assy



4. 1003000-81D 气缸盖组件 Cylinder Head Assy

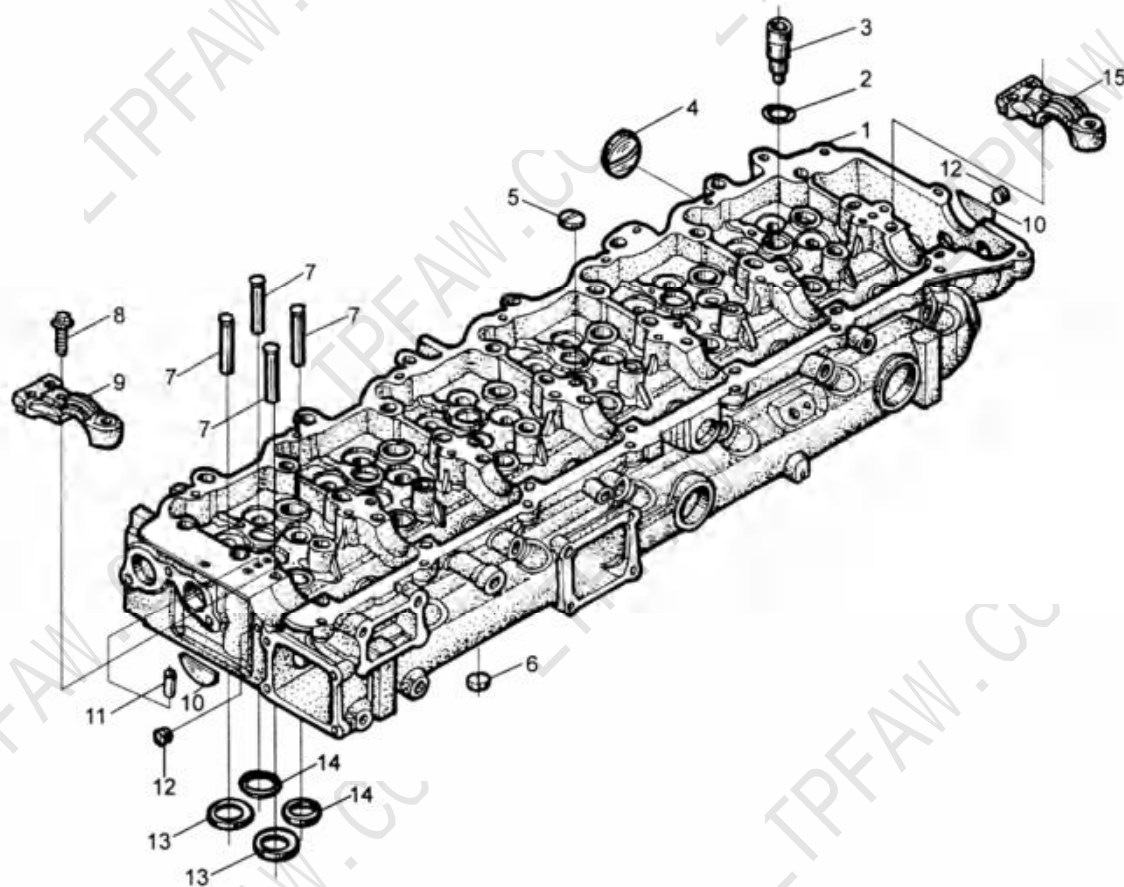
| 序号 Item | 零件件号 Part NO. | 零件名称 Description | 数量 Quantity | | 备注 Remarks |
|------------|----------------------|---------------------|----------------------------|----|---------------|
| | | | 81D | | |
| 1 | 1003031-81D | 气缸盖罩盖 | Cylinder head cover assy | 1 | |
| 2 | 1003037-29D | 罩盖 | Cover | 1 | |
| 3 | 1003036-81D | 密封圈 | Seal ring | 1 | |
| 4 | 1003047-53D | 螺栓—气缸盖 | Bolt, cylinder head | 26 | |
| 5 | Q1841025 | 六角法兰面螺栓 | Bolt with flange | 3 | |
| 6 | 1003058-81D | 前吊耳—气缸盖 | Front lifting eye-cylinder | 1 | |
| 7 | 1003072-81D | 凸轮轴上瓦 | Camshaft shell, upper half | 7 | |
| 8 | 1003073-81D | 凸轮轴下瓦 | Camshaft shell, lower half | 7 | |
| 9 | 1003020-81DY | 气缸盖垫片总成 | Cylinder head gasket assy | 1 | |
| 10 | 1003010-81D | 气缸盖总成 | Cylinder head assy | 1 | |
| 11 | Q1840616 | 六角法兰面螺栓 | Bolt with flange | 1 | |
| 12 | Q / WC3403-1994 8x14 | 铜垫圈 8x14 | Copper washer 8x14 | 3 | |
| 13 | 1003090-81D | 凸轮轴齿轮传感器盖板总成 | Cover plate | 1 | |
| 14 | 1003041-81D | 气缸盖罩盖密封垫 | Cylinder head cover gasket | 1 | |
| 15 | 1003052-81D | 衬垫—齿轮室盖板 | Cear cover plate | 1 | |

4. 1003000-81D 气缸盖组件 Cylinder Head Assy

| 序号 Item | 零件件号 Part NO. | 零件名称 Description | | 数量 Quantity | 备注 Remarks |
|------------|------------------|---------------------|-------------------------------|-------------|---------------|
| | | | | 81D | |
| 16 | 1003051-81D | 齿轮室盖板 | Gear cover plate | 1 | |
| 17 | Q1840820 | 六角法兰面螺栓 | Bolt with flange | 3 | |
| 18 | 1003060-81D | 罩盖螺栓总成 | Cylinder head cover bolt assy | 17 | |
| 19 | Q1840845TF2 | 六角法兰面螺栓 | Bolt with flange | 2 | |

5. 气缸盖总成 Cylinder Head Assy

5. 1003010-81D 气缸盖总成 Cylinder Head Assy



5. 1003010-81D 气缸盖总成 Cylinder Head Assy

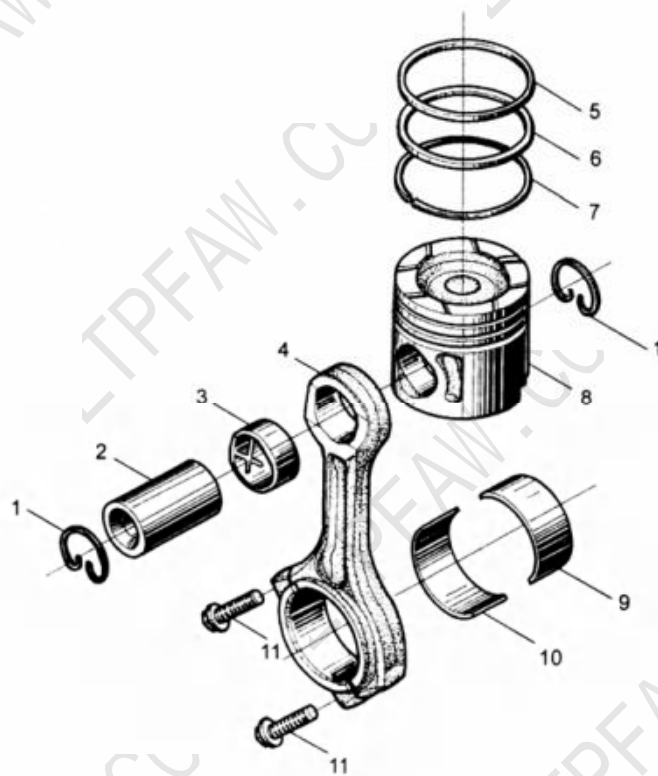
| 序号 Item | 零件件号 Part NO. | 零件名称 Description | 数量 Quantity | | 备注 Remarks |
|------------|------------------|---|-------------|--|---------------|
| | | | 81D | | |
| 1 | 1003011-81D | 气缸盖 Cylinder head | 1 | | |
| 2 | 1003018A53D | O型圈 O-ring | 6 | | |
| 3 | 1003016-81D | 喷油器铜套 Copper sheathing of fuel injector | 6 | | |
| 4 | Q72248 | 碗形塞片 48 Bowl-shaped plug plate 48 | 8 | | |
| 5 | Q72226 | 碗形塞片 26 Bowl-shaped plug plate 26 | 20 | | |
| 6 | Q72222 | 碗形塞片 22 Bowl-shaped plug plate 22 | 13 | | |
| 7 | 1003014-81D | 气门导管 Valve guide pipe | 24 | | |
| 8 | Q1841040 | 六角法兰面螺栓 Bolt with flange | 14 | | |
| 9 | 1003070-81D | 凸轮轴上瓦盖总成 1-6 档 Convex wheel axis cover gear assyl to 6 | 6 | | |
| 10 | 1003064-81D | 半圆盖 Cover | 2 | | |
| 11 | 1003079-81D | 定位销 Pin | 14 | | |
| 12 | Q61903 | 内六角锥形螺塞 Plug | 2 | | |
| 13 | 1003013-81D | 排气门座圈 Exhaust valve seat | 12 | | |
| 14 | 1003012-81D | 进气门座圈 Intake valve seat | 12 | | |
| 15 | 1003075-81D | 凸轴上瓦盖总成—第 7 档 Convex wheel axis cover gear assy 7 | 1 | | |

维修纪录 Service memo

| 日期 | 公里小时或时间间隔 | 实际里程 | 保养内容 | 备注 |
|----|-----------|------|------|----|
| | | | | |
| | | | | |
| | | | | |
| | | | | |
| | | | | |
| | | | | |
| | | | | |
| | | | | |
| | | | | |
| | | | | |
| | | | | |
| | | | | |
| | | | | |
| | | | | |

6. 活塞连杆组件 Piston and Connecting Rod Assy

6. 1004000-81D 活塞连杆组件 Piston and Connecting Rod Assy



6. 1004000-81D 活塞连杆组件 Piston and Connecting Rod Assy

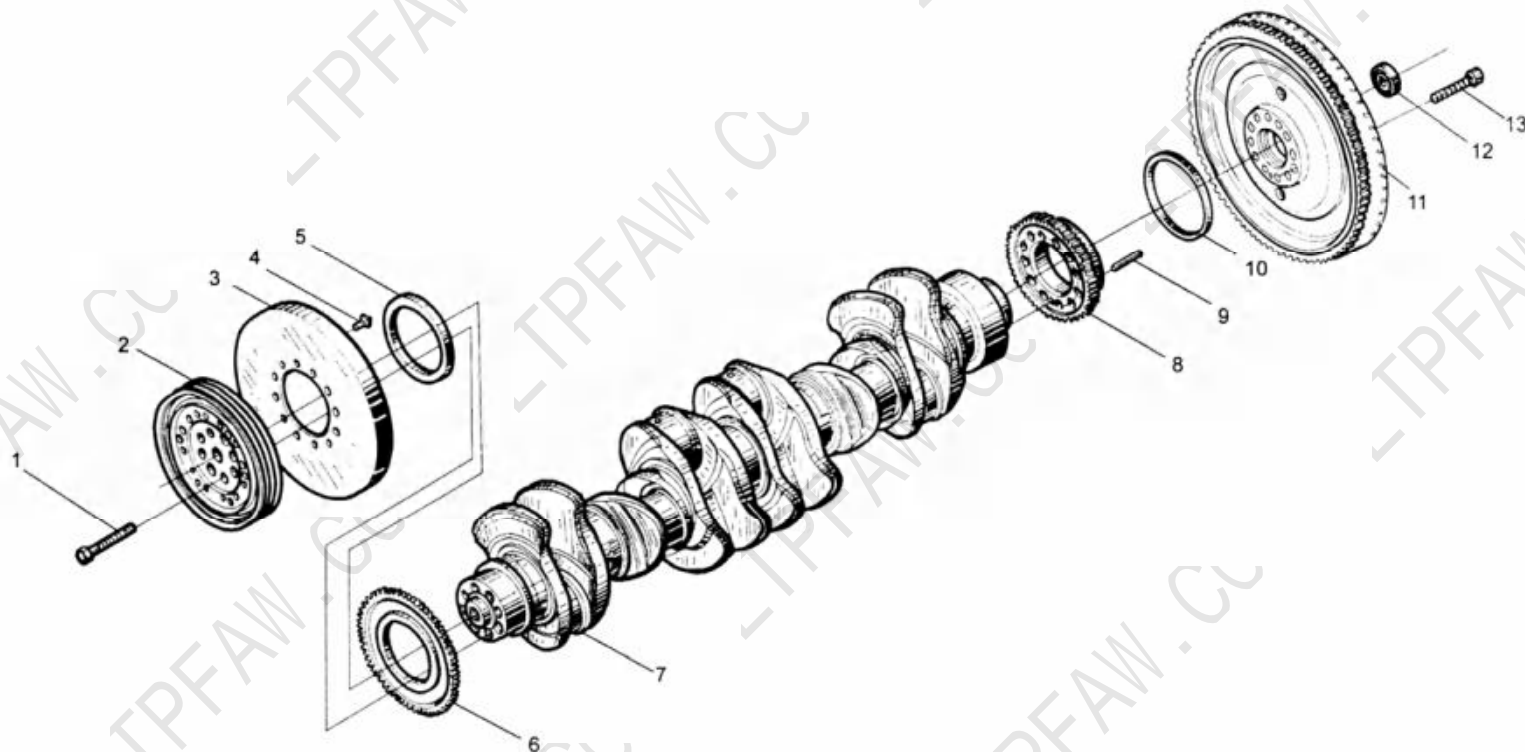
| 序号 Item | 零件件号 Part NO. | 零件名称 Description | 数量 Quantity | | 备注 Remarks |
|------------|------------------|---|-------------|--|---------------|
| | | | 81D | | |
| 1 | 1004019-81D | 挡圈 Snap ring | 12 | | |
| 2 | 1004018-81D | 活塞销 Piston pin | 6 | | |
| 3 | 1004024-81D | 连杆小头衬套 Connecting rod end bush | 6 | | |
| 4 | 1004021-81D | 连杆体 Connecting rod | 6 | | |
| 5 | 1004030-81D | 螺旋撑簧油环 Oil ring assy | 6 | | |
| 6 | 1004013-81D | 第二道气环 2 nd compression ring | 6 | | |
| 7 | 1004012-81D | 第一道气环 1 st compressing ring | 6 | | |
| 8 | 1004011-81D | 活塞 Piston | 6 | | |
| 9 | 1004026-81D | 连杆上轴瓦 Connecting rod bearing shell | 6 | | |
| 10 | 1004028-81D | 连杆下轴瓦 Connecting rod bearing shell | 6 | | |
| 11 | 1004027-81D | 连杆螺栓 Connecting rod bolt | 12 | | |

维修纪录 Service memo

| 日期 | 公里小时或时间间隔 | 实际里程 | 保养内容 | 备注 |
|----|-----------|------|------|----|
| | | | | |
| | | | | |
| | | | | |
| | | | | |
| | | | | |
| | | | | |
| | | | | |
| | | | | |
| | | | | |
| | | | | |
| | | | | |
| | | | | |
| | | | | |
| | | | | |

7. 曲轴及飞轮组件 Crankshaft and Flywheel Assy

7. 1005000-81D 曲轴及飞轮组件 Crankshaft and Flywheel Assy



7. 1005000-81D 曲轴及飞轮组件 Crankshaft and Flywheel Assy

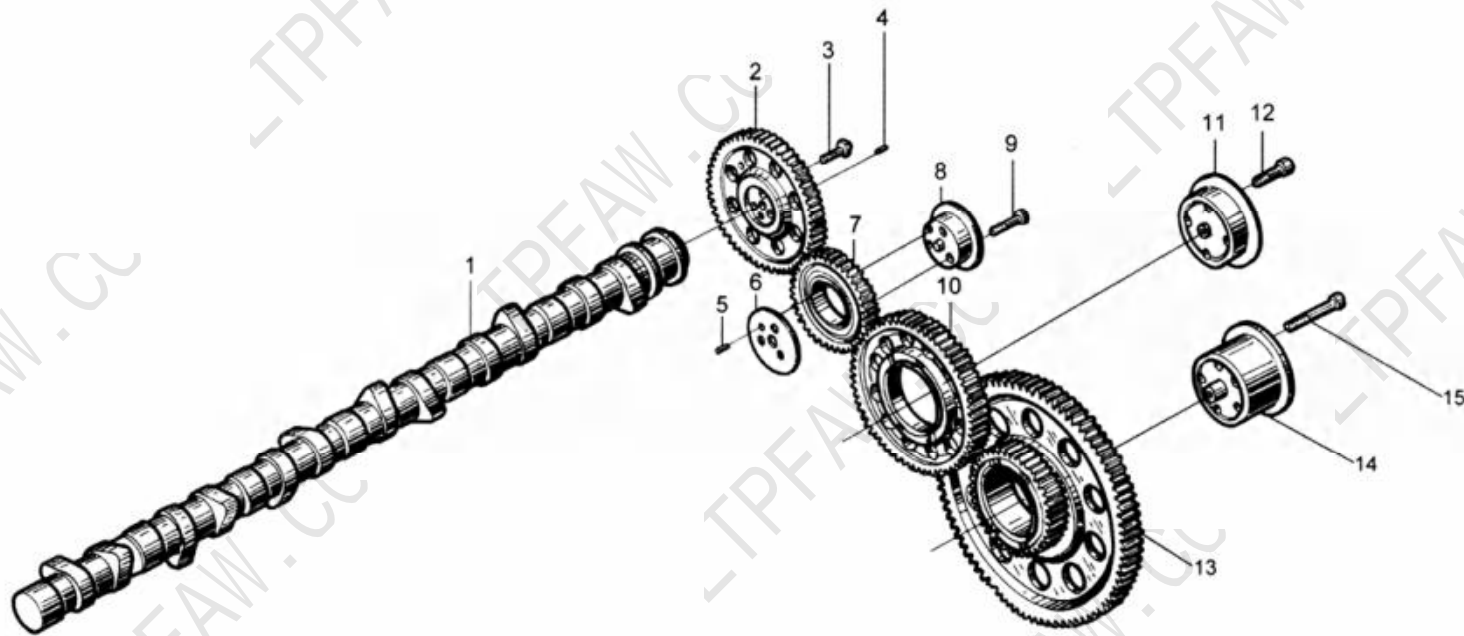
| 序号 Item | 零件件号 Part NO. | 零件名称 Description | | 数量 Quantity | 备注 Remarks |
|------------|------------------|---------------------|--------------------------------------|-------------|---------------|
| | | | | 81D | |
| 1 | 1005048K29D | 减振器螺栓 | Bolt | 8 | |
| 2 | 1005046-81D | 皮带轮一曲轴 | Pulley-crankshaft | 1 | |
| 3 | 1005190-81D | 硅油减震器 | Damper assy | 1 | |
| 4 | Q1841020 | 六角法兰面螺栓 | Bolt with flange-cranshaft | 12 | |
| 5 | 1005050-53D | 前油封一曲轴 | Front oil sealing-cranshaft | 1 | |
| 6 | 1005039-81D | 机油泵驱动齿轮一曲轴 | Oil pump driving gear-cranshan | 1 | |
| 7 | 1005014-81D | 曲轴 | Crankshaft | 1 | |
| 8 | 1005037-81D | 曲轴正时齿轮 | Crankshaft timing gear | 1 | |
| 9 | 1005031-29D | 定位销—主动齿轮及飞轮 | Pin-driving gear and flywheel | 1 | |
| 10 | 1005060-53D | 后油封一曲轴 | Rear oil sealing | 1 | |
| 11 | 1005120-81D | 飞轮附带齿圈总成 | Attached flywheel ring gear assembly | 1 | |
| 12 | GB / T276-60305 | 滚动轴承 60305 | Rolling bearing 60305 | 1 | |
| 13 | 1005071-81D | 飞轮螺栓 | Bolh—flywheel | 12 | |

维修纪录 Service memo

| 日期 | 公里小时或时间间隔 | 实际里程 | 保养内容 | 备注 |
|----|-----------|------|------|----|
| | | | | |
| | | | | |
| | | | | |
| | | | | |
| | | | | |
| | | | | |
| | | | | |
| | | | | |
| | | | | |
| | | | | |
| | | | | |
| | | | | |
| | | | | |
| | | | | |

8. 凸轮轴及正时齿轮组件 Camshaft and Timing Gear Assy

8. 1006000-81D 凸轮轴及正时齿轮组件 Camshaft and Timing Gear Assy



8. 1006000-81D 凸轮轴及正时齿轮组件 Camshaft and Timing Gear Assy

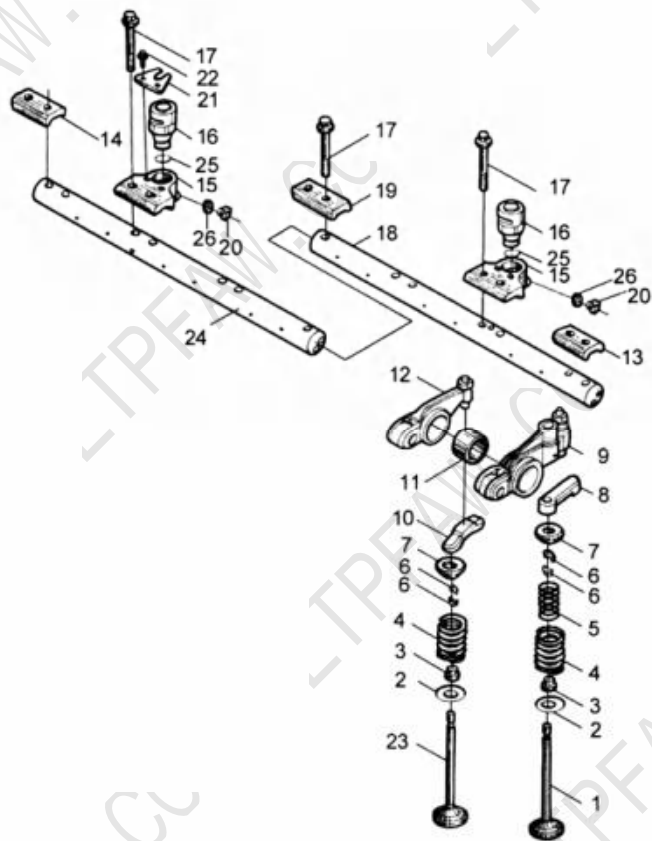
| 序号 Item | 零件件号 Part NO. | 零件名称 Description | 数量 Quantity | | 备注 Remarks |
|------------|------------------|--|-------------|--|---------------|
| | | | 81D | | |
| 1 | 1006016-81D | 凸轮轴 Camshaft | 1 | | |
| 2 | 1006021-81D | 凸轮轴正时齿轮 Camshaft timing gear | 1 | | |
| 3 | q1840830 | 六角法兰面螺栓 Bolt with flange | 3 | | |
| 4 | Q5210510 | 圆柱销 Dowel pin | 1 | | |
| 5 | Q5210616 | 圆柱销 Dowel pin | 1 | | |
| 6 | 1006056-81D | 止推片-正时中间齿轮轴(三) Thrust washer-timing intermedia gear shaft (3) | 1 | | |
| 7 | 1006070-81D | 正时中间齿轮总成 Timing intermedia gear assy | 1 | | |
| 8 | 1006057-81D | 正时中间齿轮轴(三) Timing intermedia gear shaft(3) | 1 | | |
| 9 | Q1840840 | 六角法兰面螺栓 Bolt with flange | 3 | | |
| 10 | 1006060-81D | 正时中间齿轮总成 Timing intermedia gear | 1 | | |
| 11 | 1006053-81D | 正时中间齿轮轴(二) Timing intermedia gear shaft(2) | 1 | | |
| 12 | Q218B1040TF2 | 内六角圆柱头螺钉 Socket head screw | 4 | | |
| 13 | 1006040-81D | 正时中间叠轮总成 Timing intermedia gear assy | 1 | | |
| 14 | 1006051-81D | 正时中间叠齿轮轴(一) Step idle gear shaft(1) | 1 | | |
| 15 | Q218B1070TF2 | 内六角圆柱头螺钉 Socket hesd screw | 5 | | |

维修纪录 Service memo

| 日期 | 公里小时或时间间隔 | 实际里程 | 保养内容 | 备注 |
|----|-----------|------|------|----|
| | | | | |
| | | | | |
| | | | | |
| | | | | |
| | | | | |
| | | | | |
| | | | | |
| | | | | |
| | | | | |
| | | | | |
| | | | | |
| | | | | |
| | | | | |
| | | | | |

9. 气门机构组件 Valve Mechanism Assy

9. 1007000-81D 气门机构组件 Valve Mechanism Assy



9. 1007000-81D 气门机构组件 Valve Mechanism Assy

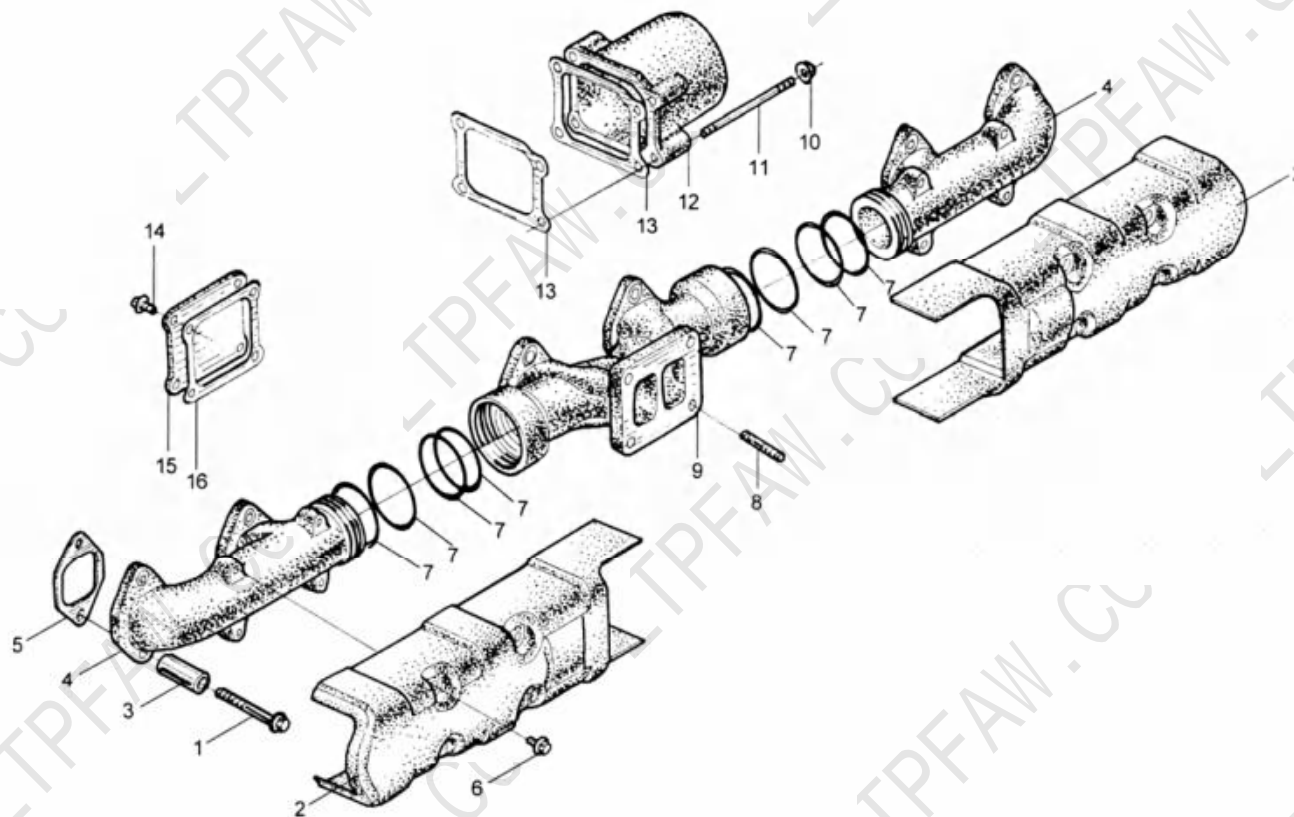
| 序号 Item | 零件件号 Part NO. | 零件名称 Description | 数量 Quantity | | 备注 Remarks |
|------------|------------------|--|-------------|--|---------------|
| | | | 81D | | |
| 1 | 1007016-81D | 排气门 Exhaust valve | 12 | | |
| 2 | 1007026-81D | 气门弹簧垫片 Valve spring retainer | 24 | | |
| 3 | 1007035-81D | 气门阀杆密封圈 Valve gide pipe seam | 24 | | |
| 4 | 1007021-81D | 进气门弹簧, 排气门外弹簧 Intake valve spring, exhaust valve spring | 24 | | |
| 5 | 1007023-81D | 排气门内弹簧 Exhaust valve spring | 12 | | |
| 6 | 1007028-81D | 气门锁块 Valve split collet | 48 | | |
| 7 | 1007024-81D | 气门弹簧座 Valve spring retainer | 24 | | |
| 8 | 1007015-81D | 排气门气门桥总成 Exhaust valve bridg eassembly | 6 | | |
| 9 | 1007120-81D | 排气门摇臂总成 Exhaust valve rocker arm assy | 6 | | |
| 10 | 1007012-81D | 进气门气门桥 Inlet valve bridge | 6 | | |
| 11 | 1007163-81D | 摇臂轴向定位套 Rockshaft sleeve | 6 | | |
| 12 | 1007110-81D | 进气门摇臂总成 Intake valve rocker arm assy | 6 | | |
| 13 | 1007183-81D | 摇臂轴压块(三) Rockshaft (3) | 1 | | |
| 14 | 1007181-81D | 摇臂轴压块(一) Rockshaft (1) | 1 | | |
| 15 | 1007164-81D | 电磁阀座 Electromagnetic valve seat | 2 | | |

9. 1007000-81D 气门机构组件 Valve Mechanism Assy

| 序号 Item | 零件件号 Part NO. | 零件名称 Description | | 数量 Quantity | 备注 Remarks |
|------------|----------------------|---------------------|------------------------------------|-------------|---------------|
| | | | | 81D | |
| 16 | 1007162-81D | 制动电磁阀总成 | Braking electromagnetic valve assy | 2 | |
| 17 | Q1841075 | 六角法兰面螺栓 | Bolt with flange | 14 | |
| 18 | 1007175-81D | 摇臂轴总成(四, 五, 六缸) | Rocker arm assy | 1 | |
| 19 | 1007182-81D | 摇臂轴压块(二) | Rockshaft(2) | 3 | |
| 20 | Q617B08 | 六角头螺塞 | Hexagon plug | 2 | |
| 21 | 1007161-81D | 电磁阀压板 | Pressure plate | 2 | |
| 22 | Q1840612 | 六角法兰面螺栓 | Bolt with flange | 4 | |
| 23 | 1007011-81D | 进气门 | Intake valve | 12 | |
| 24 | 1007165-81D | 摇臂轴总成(一, 二, 三缸) | Rockshaft assy | 1 | |
| 25 | GB/T3452.1 10.6x2.65 | O型橡胶密封圈 10.6x2.65 | O-ring 10.6x2.65 | 2 | |
| 26 | Q/wc3403-94 8X14 | 铜垫圈 8X14 | Copper washer 8X14 | 2 | |

10. 进排气管组件
Intake and Exhaust Manifold Assy

10. 1008000-81D 进排气管组件 Intake and Exhaust Manifold Assy



10. 1008000-81D 进排气管组件 Intake and Exhaust Manifold Assy

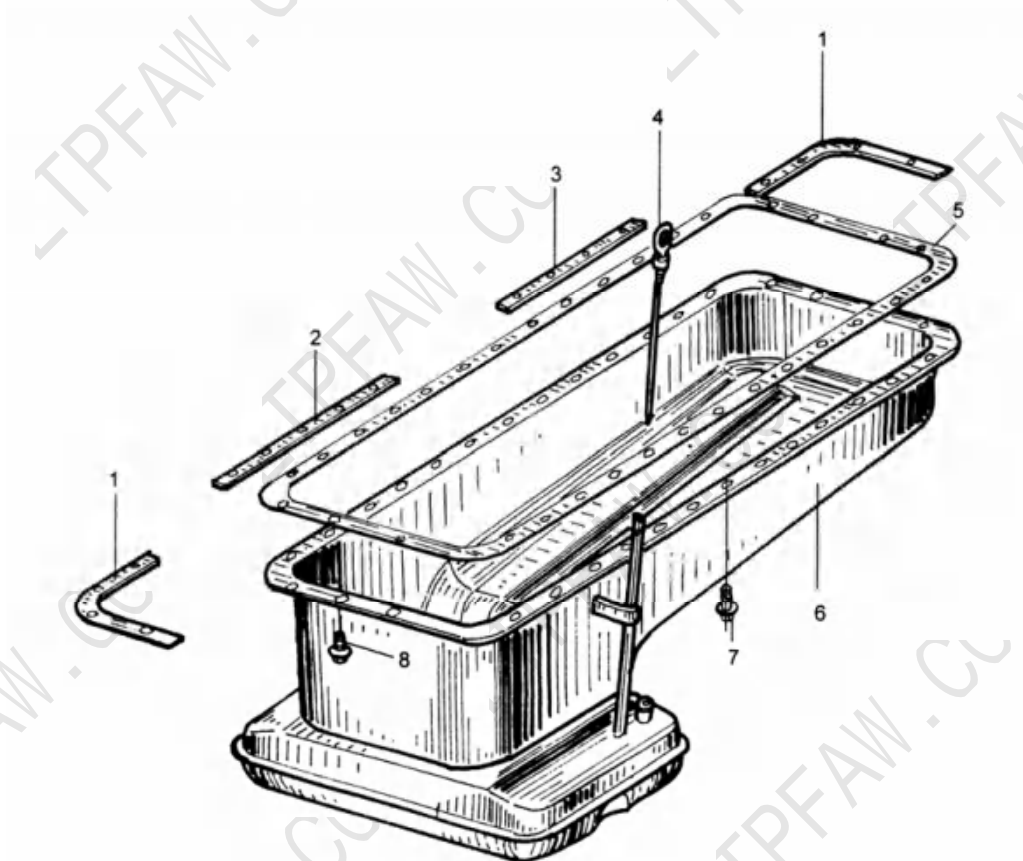
| 序号 Item | 零件件号 Part NO. | 零件名称 Description | 数量 Quantity | | 备注 Remarks |
|------------|------------------|---------------------|-------------------------------|----|---------------|
| | | | 81D | | |
| 1 | 1008049-53D | 排气管紧固螺栓 | Exhaust pipe bolts fastening | 12 | |
| 2 | 1008061-81D | 排气管隔热罩 | Exhaust shaft sheathing paper | 2 | |
| 3 | 1008048-53D | 套管—排气管螺栓 | Drivepipe-Exhaust shaft bolt | 12 | |
| 4 | 1008041-81D | 排气歧管(一) | Exhaust manifold, front | 2 | |
| 5 | 1008044-81D | 垫密片—排气管 | Gasket-exhaust manifold | 6 | |
| 6 | Q1840816 | 六角法兰面螺栓 | Bolt with flange | 8 | |
| 7 | 1008043-29D | 排气管密封环 | Sealing ring-exhaust manifold | 8 | |
| 8 | 1008051-53D | 双头螺栓—增压器 | Stud-supercharge | 4 | |
| 9 | 1008042-81D | 排气歧管(二) | Exhaust manifold, rear | 1 | |
| 10 | Q32008 | 六角法兰面螺母 | Bolt with flange | 4 | |
| 11 | Q12008120 | 双头螺栓 | Stud | 4 | |
| 12 | 1008023-81D | 进气接管 | Intake connecting pipe | 1 | |
| 13 | 1008026-81D | 垫片—进气接管 | Gasket-intake connecting pipe | 2 | |
| 14 | Q1840816 | 六角法兰面螺栓 | Bolt with flange | 4 | |

10. 1008000-81D 进排气管组件 Intake and Exhaust Manifold Assy

| 序号 Item | 零件件号 Part NO. | 零件名称 Description | 数量 Quantity | | 备注 Remarks |
|------------|------------------|---|-------------|--|---------------|
| | | | 81D | | |
| 15 | 1008018-81D | 进气歧管盖板 Intake divided manifold cover plate | 1 | | |
| 16 | 1008019-81D | 衬垫—进气歧管盖板 Gasket-Intake divided manifold cover plale | 1 | | |

11. 油底壳组件 Oil Sump Assy

11. 1009000-81D 油底壳组件 Oil Sump Assy



11. 1009000-81D 油底壳组件 Oil Sump Assy

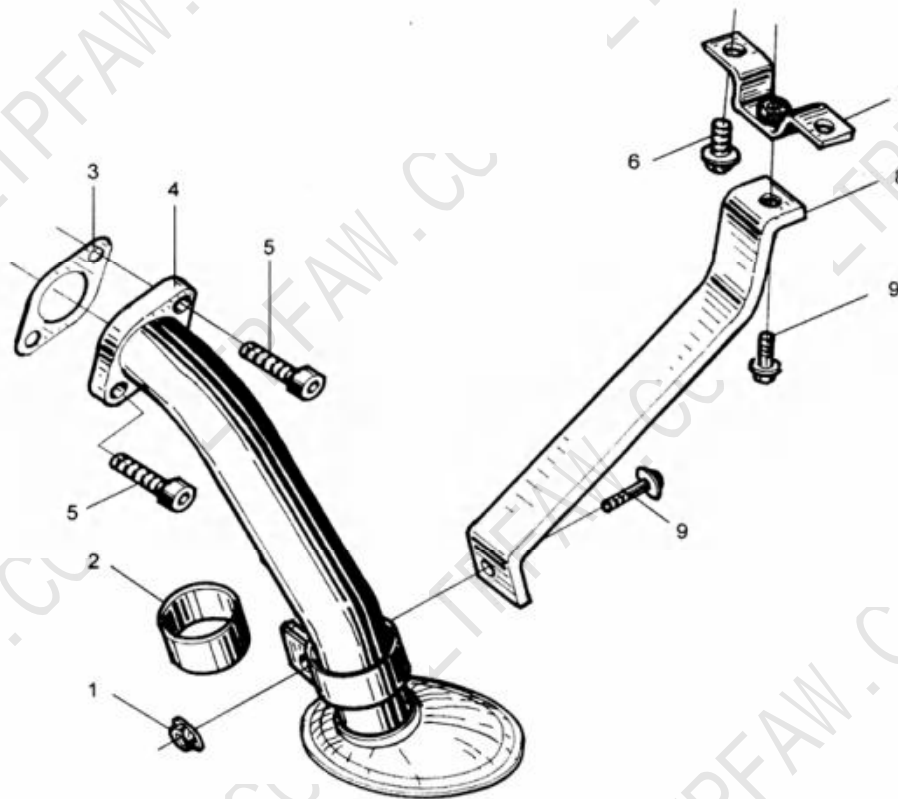
| 序号 Item | 零件件号 Part NO. | 零件名称 Description | 数量 Quantity | | 备注 Remarks |
|------------|------------------|---|-------------|--|---------------|
| | | | 81D | | |
| 1 | 1009026-81D | 转弯垫板—油底壳 Swerve backing board-oil sump | 4 | | |
| 2 | 1009023-81D | 中间垫板 1—油底壳 Plate in the middle 1-oil pan | 2 | | |
| 3 | 1009024-81D | 中间垫板 2—油底壳 Plate in the middle 2-oil pan | 2 | | |
| 4 | 1009070-81D | 机油标尺总成 Oil dipstick assy | 1 | | |
| 5 | 1009031-81D | 油底壳密封垫片 Oil sump gasket | 1 | | |
| 6 | 1009010-81D | 油底壳总成 Oil sump assy | 1 | | |
| 7 | Q1460830 | 六角头螺栓、弹簧垫圈及 平垫圈组合件 Bolt and spring washer and plain washer unit | 26 | | |
| 8 | Q1461230 | 六角头螺栓、弹簧垫圈及 平垫圈组合件 Bolt and spring washer and plain washer unit | 8 | | |

维修纪录 Service memo

| 日期 | 公里小时或时间间隔 | 实际里程 | 保养内容 | 备注 |
|----|-----------|------|------|----|
| | | | | |
| | | | | |
| | | | | |
| | | | | |
| | | | | |
| | | | | |
| | | | | |
| | | | | |
| | | | | |
| | | | | |
| | | | | |
| | | | | |
| | | | | |
| | | | | |
| | | | | |

12. 机油收集器组件 Oil Suction Assy

12. 1010000-36D 机油收集器组件 Oil Suction Assy



12. 1010000-36D 机油收集器组件 Oil Suction Assy

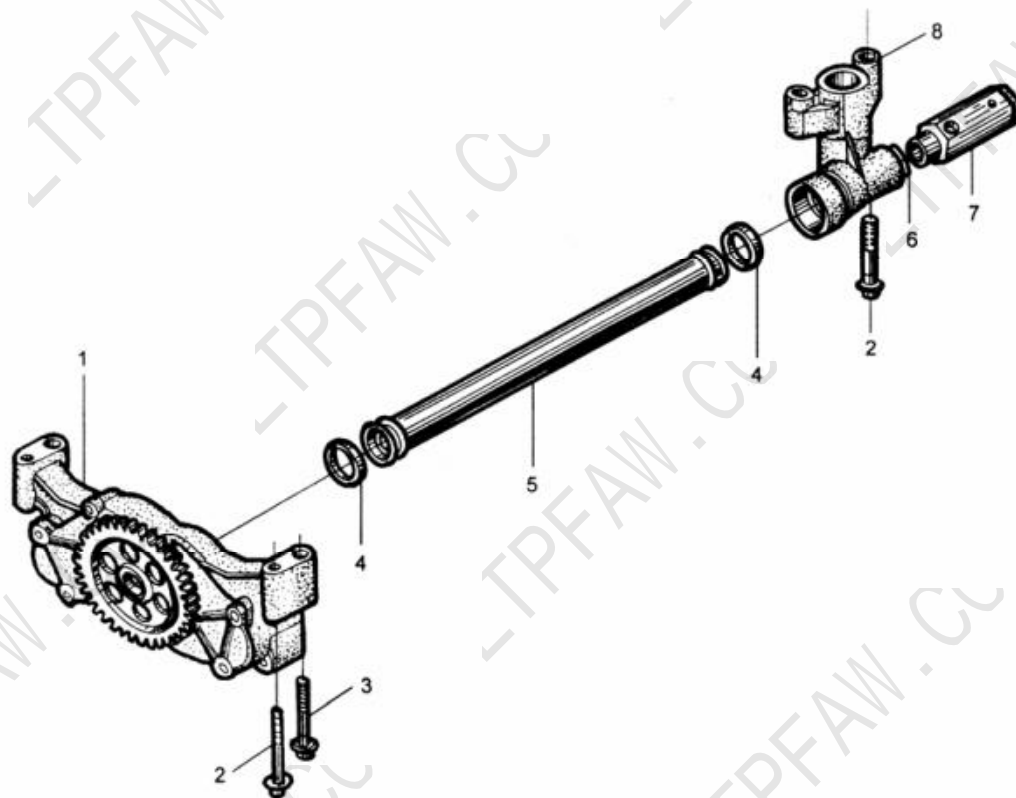
| 序号 Item | 零件件号 Part NO. | 零件名称 Description | 数量 Quantity | | 备注 Remarks |
|------------|------------------|---|-------------|--|---------------|
| | | | 81D | | |
| 1 | Q32008 | 六角法兰面螺母 Hex flange nuts | 1 | | |
| 2 | 1010023-53D | 吸油管衬套 Oil pipe bush | 1 | | |
| 3 | 1010012-53D | 垫片—机油收集器 Gasket-oil collector | 1 | | |
| 4 | 1010010-81D | 机油收集器总成 Oilsuction assy | 1 | | |
| 5 | Q218B1040TF2 | 内六角圆柱头螺钉 Hexagon cylinder head screw | 2 | | |
| 6 | Q1841020 | 六角法兰面螺栓 Hexagonal bolt flange | 2 | | |
| 7 | 1010020-81D | 固定支架总成 Fixation assembly | 1 | | |
| 8 | 1010017-81D | 机油收集器支架 Oil suction bracket | 1 | | |
| 9 | Q1840820 | 六角法兰面螺母 Hexnange nuts | 2 | | |

维修纪录 Service memo

| 日期 | 公里小时或时间间隔 | 实际里程 | 保养内容 | 备注 |
|----|-----------|------|------|----|
| | | | | |
| | | | | |
| | | | | |
| | | | | |
| | | | | |
| | | | | |
| | | | | |
| | | | | |
| | | | | |
| | | | | |
| | | | | |
| | | | | |
| | | | | |
| | | | | |

13. 机油泵组件 Oil Pump Assy

13. 1011000-81D 机油泵组件 Oil Pump Assy



13. 1011000-81D 机油泵组件 Oil Pump Assy

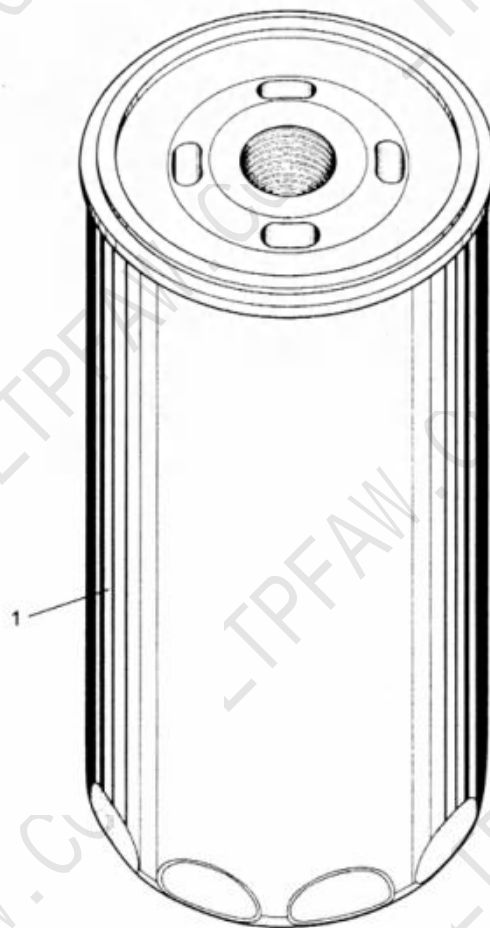
| 序号 Item | 零件件号 Part NO. | 零件名称 Description | 数量 Quantity | | 备注 Remarks |
|------------|-----------------------------|---|-------------|--|---------------|
| | | | 81D | | |
| 1 | 1011010-81D | 机油泵总成 Oil pump assembly | 1 | | |
| 2 | Q1821060 | 六角法兰面螺栓—细杆 Bolt with flange-thinrod | 4 | | |
| 3 | Q1821070 | 六角法兰面螺栓—螺杆 Bolt with flange-thinrod | 2 | | |
| 4 | 1011042-81D | 密封圈 Sealring | 2 | | |
| 5 | 1011041-81DZ 1011041-81D | 机油泵出油管 Oil pump oil out | 1 | | |
| 6 | Q72324 | 密封垫圈 Seal washer | 1 | | |
| 7 | 1011055-81D | 机油泵限压阀总成 Oil Pump pressure limiting valve assembly | 1 | | |
| 8 | 1011051-81D | 机油泵出油管接头 Oil pump oil out of joint | 1 | | |

维修纪录 Service memo

| 日期 | 公里小时或时间间隔 | 实际里程 | 保养内容 | 备注 |
|----|-----------|------|------|----|
| | | | | |
| | | | | |
| | | | | |
| | | | | |
| | | | | |
| | | | | |
| | | | | |
| | | | | |
| | | | | |
| | | | | |
| | | | | |
| | | | | |
| | | | | |
| | | | | |

14. 全流式机油滤清器组件 Full-flow Lubricating Oil Filter Assy

14. 1012000-81D 全流式机油滤清器组件 Full-flow Lubricating Oil Filter Assy



14. 1012000-81D 全流式机油滤清器组件 Full-flow Lubricating Oil Filter Assy

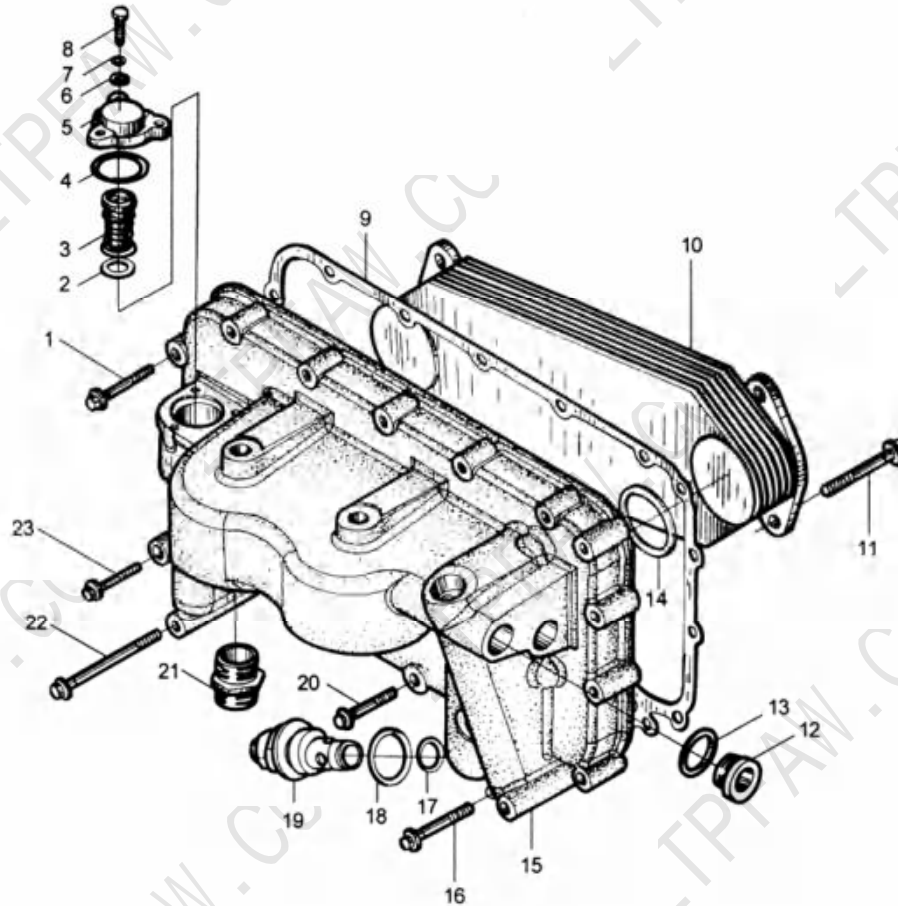
| 序号 Item | 零件件号 Part NO. | 零件名称 Description | 数量 Quantity | | 备注 Remarks |
|------------|------------------|---|-------------|--|---------------|
| | | | 81D | | |
| 1 | 1012010A53DM | 全流式机油滤清器组件 Full-flow lubricating oil filter assy | 2 | | |

维修纪录 Service memo

| 日期 | 公里小时或时间间隔 | 实际里程 | 保养内容 | 备注 |
|----|-----------|------|------|----|
| | | | | |
| | | | | |
| | | | | |
| | | | | |
| | | | | |
| | | | | |
| | | | | |
| | | | | |
| | | | | |
| | | | | |
| | | | | |
| | | | | |
| | | | | |
| | | | | |

15. 机油冷却器组件 Oil Cooler Assy

15. 1013000-81D 机油冷却器组件 Oil Cooler Assy



15. 1013000-81D 机油冷却器组件 Oil Cooler Assy

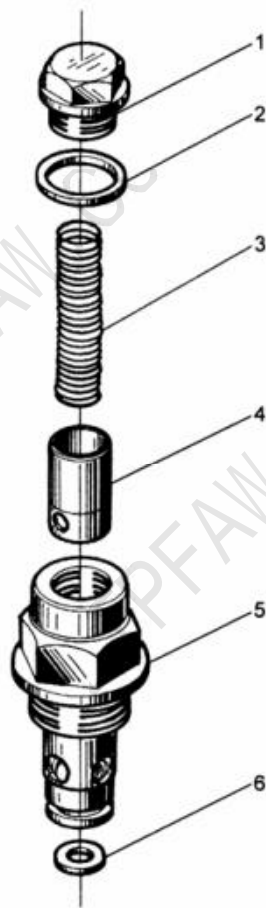
| 序号 Item | 零件件号 Part NO. | 零件名称 Description | | 数量 Quantity | 备注 Remarks |
|------------|-------------------------|---------------------|---------------------------------------|-------------|---------------|
| | | | | 81D | |
| 1 | Q1820855 | 六角法兰面螺栓 | Bolt with flange | 11 | |
| 2 | 1013034-53D | 0型密封圈—机油冷却器旁通阀 | O-ring, oil cooler by pass valve | 1 | |
| 3 | 1013033-53D | 阀—机油冷却器旁通阀 | Valve, oil cooler by pass valve | 1 | |
| 4 | 1013037-53D | 0型密封圈—阀盖 | O-ring, valve cover | 1 | |
| 5 | 1013031-81D | 阀盖—机油冷却器旁通阀 | Valve cover, oil cooler by psss valve | 1 | |
| 6 | Q40106 | 平垫圈 | Washer | 3 | |
| 7 | Q40306 | 弹簧垫圈 | Spring washer | 3 | |
| 8 | Q150B0625 | 六角头螺栓 | Bolt with flange | 3 | |
| 9 | 1013012-81D | 机油冷却器体垫片 | Oil cooler body spacer | 1 | |
| 10 | 1013010-81D | 机油冷却器体总成 | Lubricating oil cooler body assy | 1 | |
| 11 | Q1821070 | 六角法兰面螺栓—细杆 | Bolt with flange—thinrod | 4 | |
| 12 | Q/WC3410-1994M27x1.5 | 内六角螺塞 M27x1.5 | Plug M27x1.5 | 3 | |
| 13 | Q/WC3403-1994 27x35 | 铜垫圈 27x35 | Copper washer | 3 | |
| 14 | GB3452.1-2005 46.2x3.55 | 0型橡胶密封圈 46.2x3.55 | O-ring 46.2x3.55 | 2 | |
| 15 | 1013011-81D | 机油冷却器体 | Oil cooler body | 1 | |

15. 1013000-81D 机油冷却器组件 Oil Cooler Assy

| 序号 Item | 零件件号 Part NO. | 零件名称 Description | | 数量 Quantity | | 备注 Remarks |
|------------|------------------|---------------------|-----------------------|-------------|--|---------------|
| | | | | 81D | | |
| 16 | Q1820860 | 六角法兰面螺栓 | Bolt with flange | 2 | | |
| 17 | Q7342422 | O型橡胶密封圈 | O-ring | 1 | | |
| 18 | 1013066-81D | 铜垫圈 | Copper washer | 1 | | |
| 19 | 1013060-81D | 调压阀总成 | Regulating valve assy | 1 | | |
| 20 | Q1820850 | 六角法兰面螺栓 | Bolt with flange | 3 | | |
| 21 | 1013041-53D | 全流式机油滤清器连接螺栓 | Connecting bolt | 2 | | |
| 22 | Q18208100 | 六角法兰面螺栓 | Bolt with flange | 3 | | |
| 23 | Q1820845 | 六角法兰面螺栓 | Bolt with flange | 1 | | |

16. 调压阀总成 Regulating Valve Assy

16. 1013060-81D 调压阀总成 Regulating Valve Assy



16. 1013060-81D 调压阀总成 Regulating Valve Assy

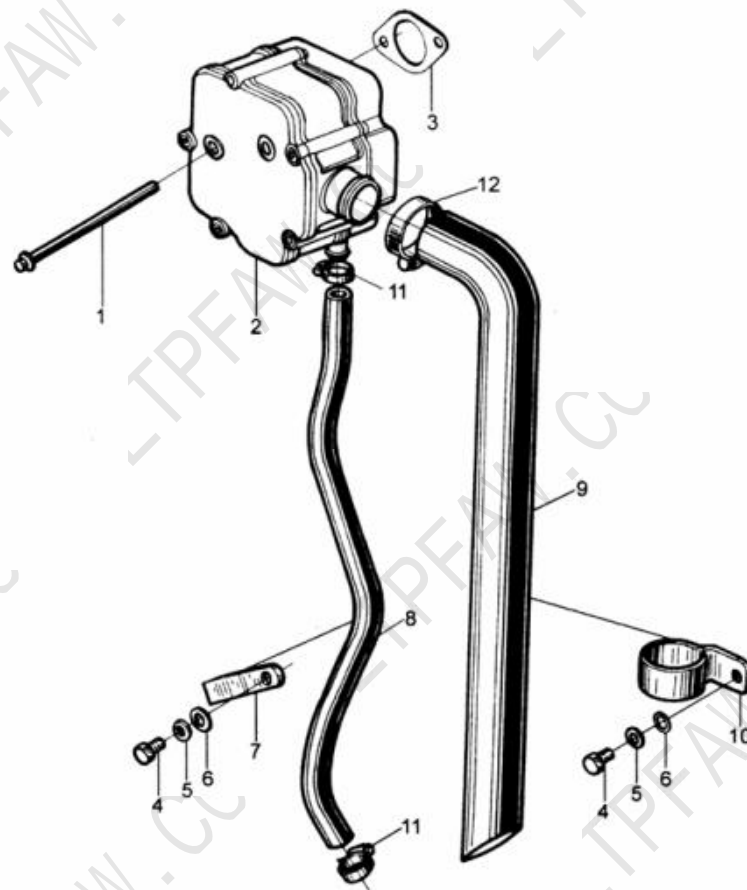
| 序号 Item | 零件件号 Part NO. | 零件名称 Description | | 数量 Quantity | 备注 Remarks |
|------------|------------------|---------------------|-------------------------|-------------|---------------|
| | | | | 81D | |
| 1 | 1013063-81D | 螺塞 | Plug | 1 | |
| 2 | Q72322 | 密封垫圈 | Seal washer | 1 | |
| 3 | 1013062-81D | 调压阀弹簧 | Regulating valve spring | 1 | |
| 4 | 1013061-81D | 调压阀体 | Regulating valve body | 1 | |
| 5 | 1013064-81D | 柱塞 | Plug | 1 | |
| 6 | Q40108 | 平垫圈 | Flat washer | 1 | |

维修纪录 Service memo

| 日期 | 公里小时或时间间隔 | 实际里程 | 保养内容 | 备注 |
|----|-----------|------|------|----|
| | | | | |
| | | | | |
| | | | | |
| | | | | |
| | | | | |
| | | | | |
| | | | | |
| | | | | |
| | | | | |
| | | | | |
| | | | | |
| | | | | |
| | | | | |
| | | | | |

17. 曲轴箱通风装置组件
Crankshaft Ventilation Installation Assy

17. 1014000-81D 曲轴箱通风装置组件 Crankshaft Ventilation Installation Assy



17. 1014000-81D 曲轴箱通风装置组件 Crankshaft Ventilation Installation Assy

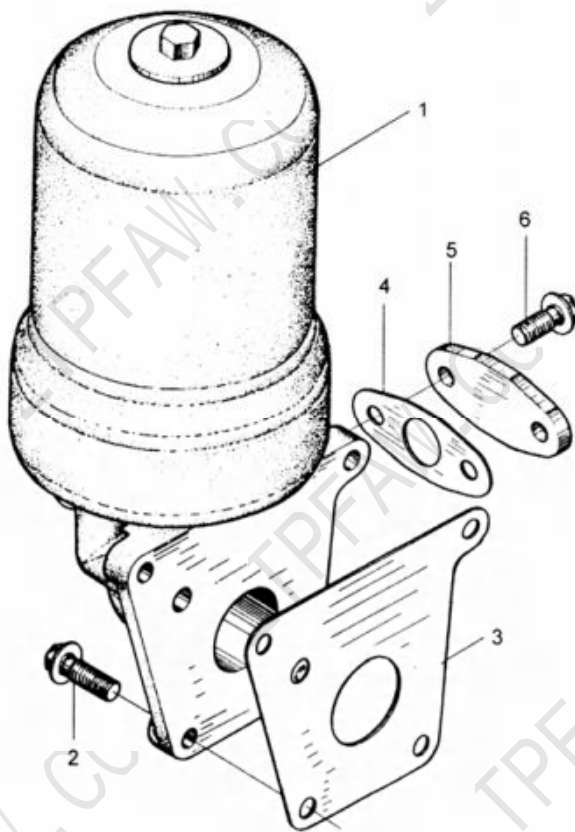
| 序号 Item | 零件件号 Part NO. | 零件名称 Description | 数量 Quantity | | 备注 Remarks |
|------------|------------------|---|-------------|--|---------------|
| | | | 81D | | |
| 1 | 1014014-81D | 连接螺栓 Connecting bolt | 2 | | |
| 2 | 1014010-81D | 油气分离器总成 Oilgas seperator assy | 1 | | |
| 3 | 1014021-53D | 垫片—呼吸器 Gasket for the oilgas separator | 1 | | |
| 4 | Q150B1016 | 六角头螺栓 Hexagon bolt | 2 | | |
| 5 | Q40310 | 弹簧垫圈 Spring washer | 2 | | |
| 6 | Q40110 | 垫圈 Washer | 2 | | |
| 7 | 1014027-81D | 回油管支架 Oil flow pipe bracket | 1 | | |
| 8 | 1014019-81D | 油气分离器回油管 Oil return pipe of oilgas seperator | 1 | | |
| 9 | 1014017-81D | 通气管 Ventilation pipe | 1 | | |
| 10 | 1014018-81D | 通气管支架 Ventilation pipe bracket | 1 | | |
| 11 | Q676B25 | 夹箍 Clamp | 2 | | |
| 12 | Q67658 | B型涡杆式软管环箍 B-leveraged hose vortex ring hoop | 1 | | |

维修纪录 Service memo

| 日期 | 公里小时或时间间隔 | 实际里程 | 保养内容 | 备注 |
|----|-----------|------|------|----|
| | | | | |
| | | | | |
| | | | | |
| | | | | |
| | | | | |
| | | | | |
| | | | | |
| | | | | |
| | | | | |
| | | | | |
| | | | | |
| | | | | |
| | | | | |
| | | | | |

18. 离心式机油滤清器组件 Spin-on Oil Filter Assy

18. 1017000-29D 离心式机油滤清器组件 Spin-on Oil Filter Assy



18. 1017000-29D 离心式机油滤清器组件 Spin-on Oil Filter Assy

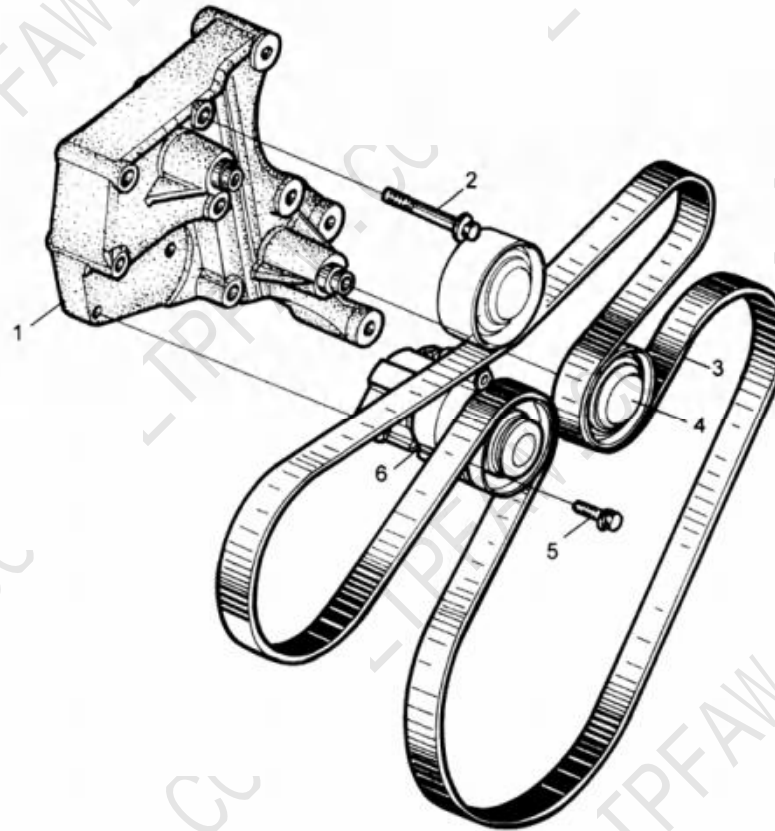
| 序号 Item | 零件件号 Part NO. | 零件名称 Description | | 数量 Quantity | 备注 Remarks |
|------------|------------------|---------------------|--|-------------|---------------|
| | | | | 81D | |
| 1 | 1017010-29D | 离心式机油滤清器总成 | Spin-on filter assy | 1 | |
| 2 | Q1840825 | 六角法兰面螺栓 | Bolt with flange | 4 | |
| 3 | 1017022-29D | 垫片—离心式机油滤清器 | Gasket-Spin-on filter assy | 1 | |
| 4 | 1118094-29D | 垫片—增压器回油管 | Gasket for oil return pipe of turbocharger | 1 | |
| 5 | 1017023-29D | 盖板 | Plate | 1 | |
| 6 | Q1840820 | 六角法兰面螺栓 | Bolt with flange | 2 | |

维修纪录 Service memo

| 日期 | 公里小时或时间间隔 | 实际里程 | 保养内容 | 备注 |
|----|-----------|------|------|----|
| | | | | |
| | | | | |
| | | | | |
| | | | | |
| | | | | |
| | | | | |
| | | | | |
| | | | | |
| | | | | |
| | | | | |
| | | | | |
| | | | | |
| | | | | |
| | | | | |

19. 张紧轮组件
Tension Wheel Assy

19. 1023000-81D 张紧轮组件 Tension Wheel Assy



19. 1023000-81D 张紧轮组件 Tension Wheel Assy

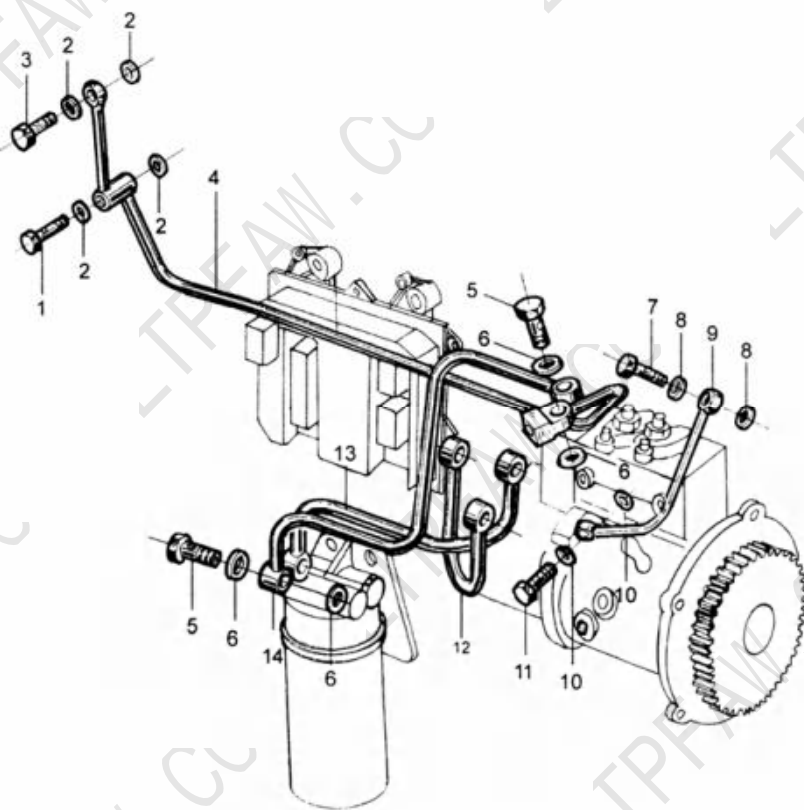
| 序号 Item | 零件件号 Part NO. | 零件名称 Description | | 数量 Quantity | | 备注 Remarks |
|------------|------------------|---------------------|--|-------------|--|---------------|
| | | | | 81D | | |
| 1 | 1023011-81D | 前端轮系支架 | Bracket of front wheel train | 1 | | |
| 2 | Q1841075 | 六角法兰面螺栓 | Bolt with flange | 5 | | |
| 3 | 1023021-81D | 多楔皮带 | Pulley | 1 | | |
| 4 | 1023015B36D | 平惰轮总成 | Idle wheel assy | 2 | | |
| 5 | Q1460835 | 六角法兰面螺栓、弹簧垫圈和平垫圈组合件 | Bolt and spring washer and plain washer unit | 2 | | |
| 6 | 1023010B36D | 自动张紧轮总成 | Automatic tension wheel assy | 1 | | |

维修纪录 Service memo

| 日期 | 公里小时或时间间隔 | 实际里程 | 保养内容 | 备注 |
|----|-----------|------|------|----|
| | | | | |
| | | | | |
| | | | | |
| | | | | |
| | | | | |
| | | | | |
| | | | | |
| | | | | |
| | | | | |
| | | | | |
| | | | | |
| | | | | |
| | | | | |
| | | | | |

20. 低压油管组件
Fuel Line, Low Pressure Assy

20. 1104000-81D 低压油管组件 Fuel Line, Low Pressure Assy



20. 1104000-81D 低压油管组件 Fuel Line, Low Pressure Assy

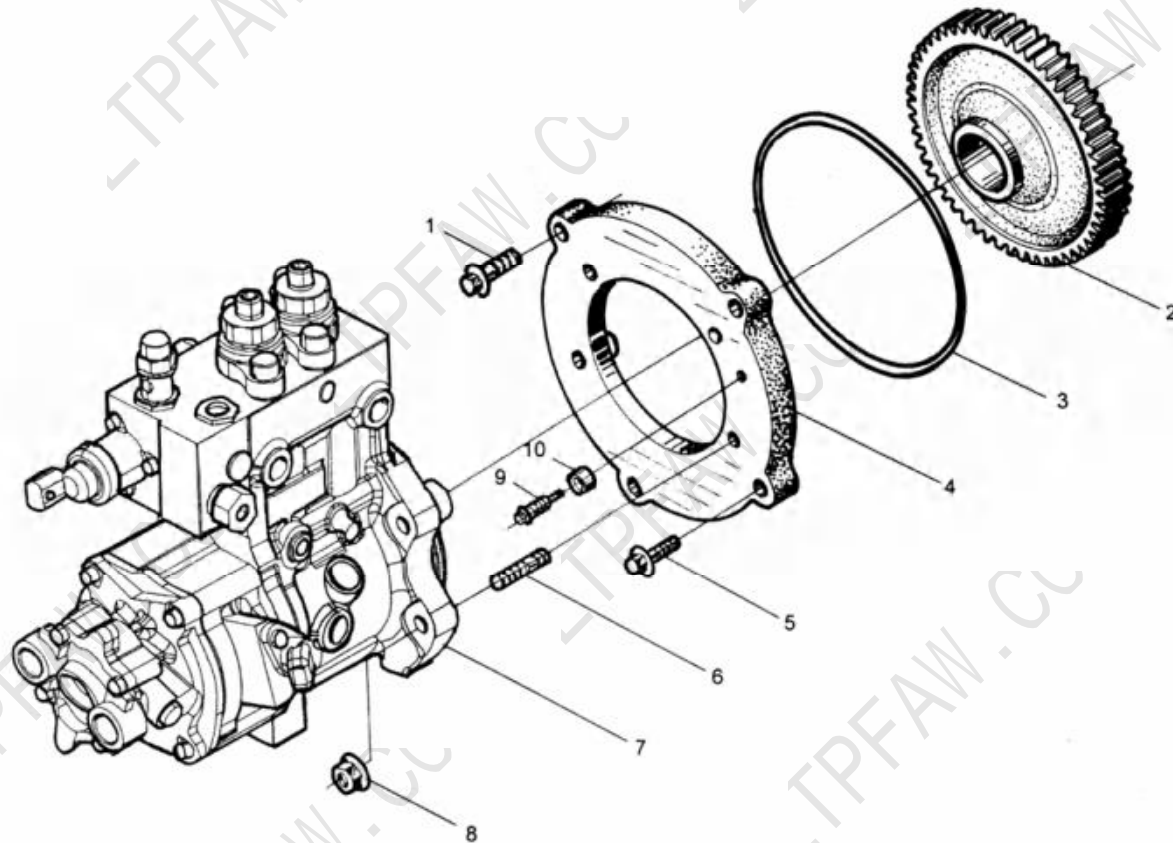
| 序号 Item | 零件件号 Part NO. | 零件名称 Description | 数量 Quantity | | 备注 Remarks |
|------------|------------------------|---|-------------|--|---------------|
| | | | 81D | | |
| 1 | 1104051-81D | 铰接螺栓 Bolt | 1 | | |
| 2 | Q72314 | 垫圈 Washer | 4 | | |
| 3 | QXC3451.1-2002M14x1.5 | 铰接螺栓 M14x1.5 Bolt M14x1.5 | 1 | | |
| 4 | 1104050-81D | 喷油器回油管总成 Fuel injector return pipe assy | 1 | | |
| 5 | QXC3451.1-2002M16x1.5 | 螺栓 M16x1.5 Bolt M16x1.5 | 6 | | |
| 6 | Q72316 | 垫圈 Washer | 14 | | |
| 7 | QXC3451.1-2002M12x1.25 | 螺栓 M12x1.25 Bolt M12x1.25 | 1 | | |
| 8 | Q72312 | 垫圈 Washer | 2 | | |
| 9 | 1104070-81D | 机油进油管总成 Lubricating oil valve assembly | 1 | | |
| 10 | Q72310 | 垫圈 Washer | 2 | | |
| 11 | QXC3451.1-2002M10x1 | 螺栓 M10x1 Bolt M10x1 | 1 | | |
| 12 | 1104020-81D | 进油管总成-ECU 接输油泵 Oil valve assembly from ECU to fuel injector pump | 1 | | |
| 13 | 1104030-81D | 进油管总成-输油泵接细滤器 Oil valve assembly from fuel injector pump to fuel filter | 1 | | |
| 14 | 1104040-81D | 进油管总成-粗滤器接油泵 injector pump | 1 | | |

维修纪录 Service memo

| 日期 | 公里小时或时间间隔 | 实际里程 | 保养内容 | 备注 |
|----|-----------|------|------|----|
| | | | | |
| | | | | |
| | | | | |
| | | | | |
| | | | | |
| | | | | |
| | | | | |
| | | | | |
| | | | | |
| | | | | |
| | | | | |
| | | | | |
| | | | | |
| | | | | |

21. 喷油泵组件 Fuel Injector Pump Assy

21. 1111000-81D 喷油泵组件 Fuel Injector Pump Assy



21. 1111000-81D 喷油泵组件 Fuel Injector Pump Assy

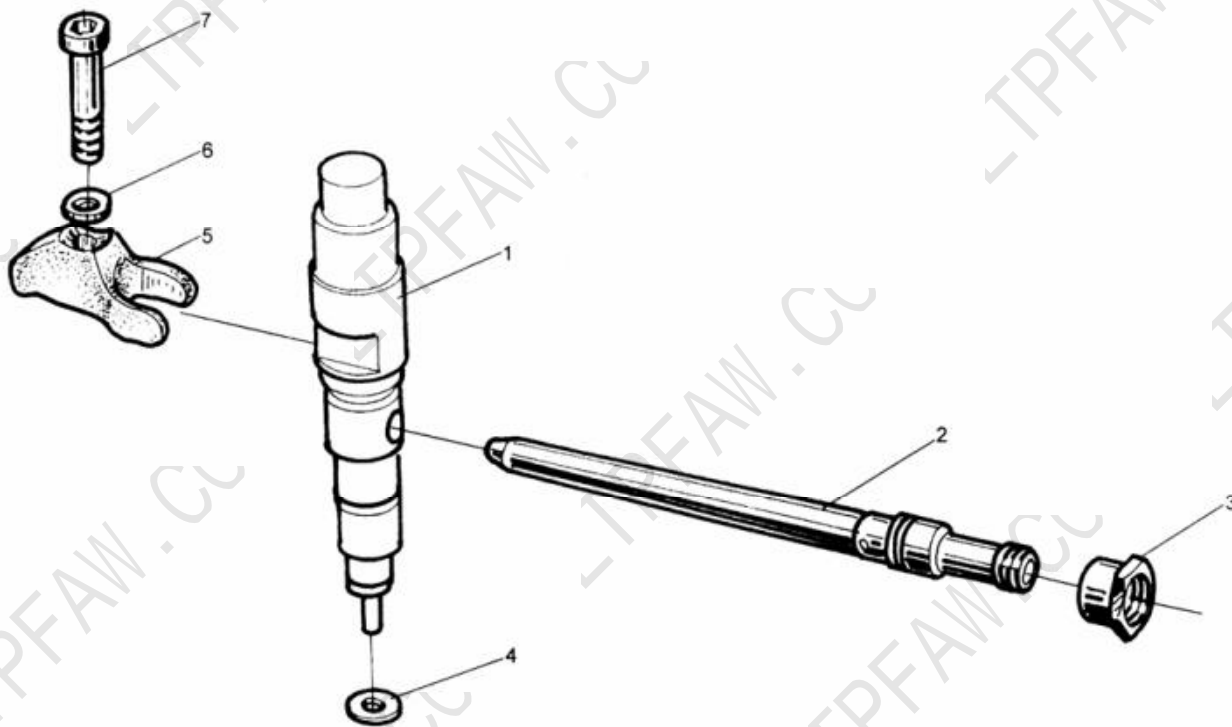
| 序号 Item | 零件件号 Part NO. | 零件名称 Description | | 数量 Quantity | 备注 Remarks |
|------------|------------------------|---------------------|------------------------|-------------|---------------|
| | | | | 81D | |
| 1 | Q1841030 | 六角法兰面螺栓 | Bolt with flange | 2 | |
| 2 | 1111216-81D | 喷油泵传动齿轮 | Gear of injection pump | 1 | |
| 3 | GB3452.1-1992 155x2.65 | O型密封圈 155x2.65 | O-ring 155x2.65 | 1 | |
| 4 | 1111228-81D | 高压油泵连接法兰 | Flange-injection drive | 1 | |
| 5 | Q1841040 | 六角法兰面螺栓 | Bolt with flange | 2 | |
| 6 | Q1201030 | 双头螺柱 | Stud | 4 | |
| 7 | 1111010-73D | 喷油泵 | Fuel injector pump | 1 | |
| 8 | Q32010 | 六角法兰面螺母 | Hexagon-flange nut | 4 | |
| 9 | 1104089-630-0000 | 定位销 | Pin | 1 | |
| 10 | 1104088-630-0000 | 套筒 | Sleeve | 1 | |

维修纪录 Service memo

| 日期 | 公里小时或时间间隔 | 实际里程 | 保养内容 | 备注 |
|----|-----------|------|------|----|
| | | | | |
| | | | | |
| | | | | |
| | | | | |
| | | | | |
| | | | | |
| | | | | |
| | | | | |
| | | | | |
| | | | | |
| | | | | |
| | | | | |
| | | | | |
| | | | | |

22. 喷油器组件 Fuel Injector Assy

22. 1112000-81D 喷油器组件 Fuel Injector Assy



22. 1112000-81D 喷油器组件 Fuel Injector Assy

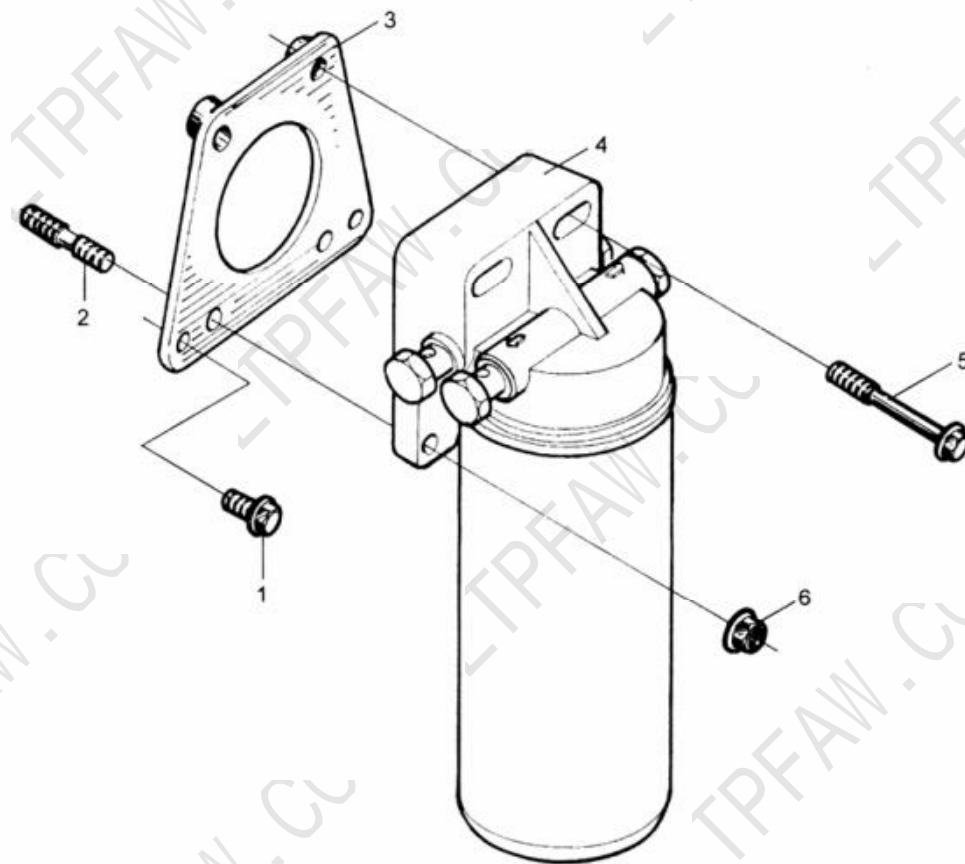
| 序号 Item | 零件件号 Part NO. | 零件名称 Description | 数量 Quantity | | 备注 Remarks |
|------------|------------------|---|-------------|--|---------------|
| | | | 81D | | |
| 1 | 1112010-81D | 喷油器总成 Fuel iniector assy | 6 | | |
| 2 | 1112030-81D | 高压油管接管总成 High pressure connector to the nozzle | 6 | | |
| 3 | 1112031-29D | 中间压紧螺母-高压油管接管 Middle compact nut-high pressure oil pipeline connecting pipeline | 6 | | |
| 4 | 1112306-73D | 喷油器密封垫片 Fuel iniector seal pod | 6 | | |
| 5 | 1112011-81D | 喷油器压板 Clamp plate | 6 | | |
| 6 | 1112014-81D | 球面垫圈 Spheric washer | 6 | | |
| 7 | 1112013-81D | 喷油器压板螺 Clamp plate bolt | 6 | | |

维修纪录 Service memo

| 日期 | 公里小时或时间间隔 | 实际里程 | 保养内容 | 备注 |
|----|-----------|------|------|----|
| | | | | |
| | | | | |
| | | | | |
| | | | | |
| | | | | |
| | | | | |
| | | | | |
| | | | | |
| | | | | |
| | | | | |
| | | | | |
| | | | | |
| | | | | |
| | | | | |
| | | | | |

23. 燃油滤清器组件 Fuel Filter Assy

23. 1117000-81D 燃油滤清器组件 Fuel Filter Assy



23. 1117000-81D 燃油滤清器组件 Fuel Filter Assy

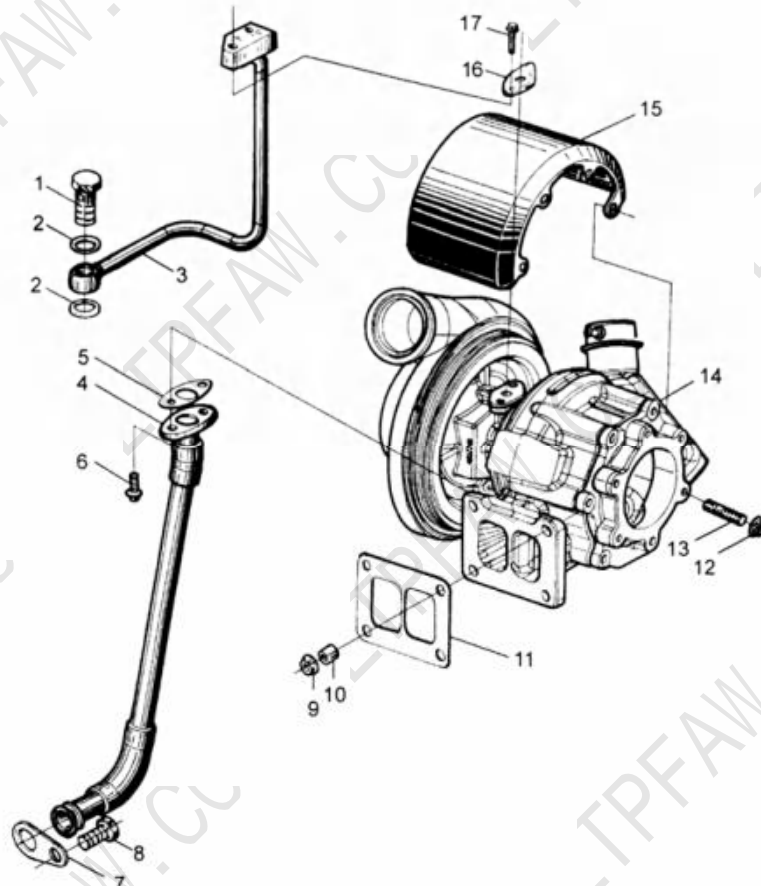
| 序号 Item | 零件件号 Part NO. | 零件名称 Description | | 数量 Quantity | 备注 Remarks |
|------------|------------------|---------------------|-------------------------------|-------------|---------------|
| | | | | 81D | |
| 1 | Q1841030 | 六角法兰面螺栓 | Bolt with flange | 2 | |
| 2 | Q1201028 | 双头螺柱 | Stud | 2 | |
| 3 | 1117120-81D | 燃油细滤器支架总成 | Fuel filter bracket assy | 1 | |
| 4 | 1117010-81D | 旋装式燃油滤清器总成 | Double stage fuel filter assy | 1 | |
| 5 | Q1821075 | 六角法兰面螺栓—细杆 | Bolt with flange—thin rod | 2 | |
| 6 | Q32010 | 六角法兰面螺母 | Nut with flange | 4 | |

维修纪录 Service memo

| 日期 | 公里小时或时间间隔 | 实际里程 | 保养内容 | 备注 |
|----|-----------|------|------|----|
| | | | | |
| | | | | |
| | | | | |
| | | | | |
| | | | | |
| | | | | |
| | | | | |
| | | | | |
| | | | | |
| | | | | |
| | | | | |
| | | | | |
| | | | | |
| | | | | |
| | | | | |
| | | | | |

24. 涡轮增压器组件 Turbocharger Assy

24. 1118000-81D 涡轮增压器组件 Turbocharger Assy



24. 1118000-81D 涡轮增压器组件 Turbocharger Assy

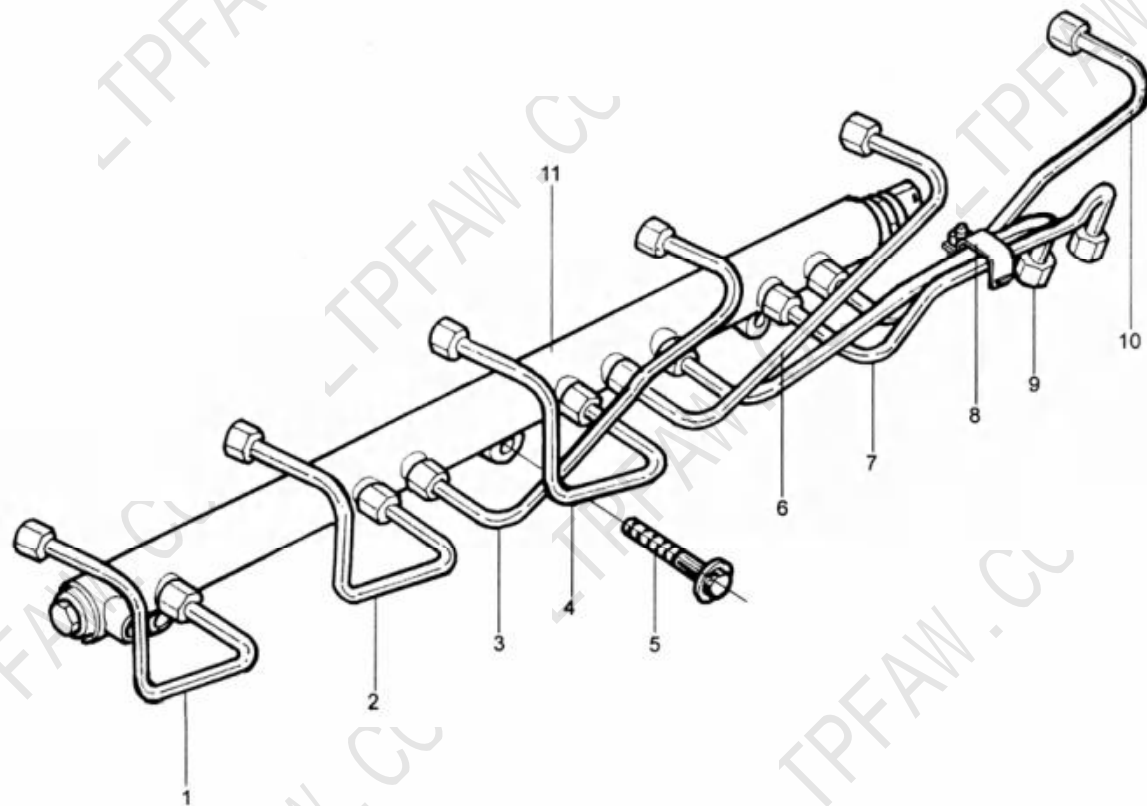
| 序号 Item | 零件件号 Part NO. | 零件名称 Description | 数量 Quantity | | 备注 Remarks |
|------------|------------------|---------------------|-------------------------------|---|---------------|
| | | | 81D | | |
| 1 | 1118071-53D | 空心螺栓 | Bolt | 1 | |
| 2 | Q72316 | 密封垫圈 | Seal ring | 2 | |
| 3 | 1118060-81D | 增压器进油管总成 | Oil-inpipe assy turbocharger | 1 | |
| 4 | 1118080-81D | 增压器回油管总成 | Oil flow pipe turbocharger | 1 | |
| 5 | 1118094-29D | 垫片—增压器回油管 | Gasket oil flow pipe | 1 | |
| 6 | Q1840820 | 六角法兰面螺栓 | Bolt with flange | 2 | |
| 7 | 1118083-81D | 压板—增压器回油管 | Press plate-oil flow pipe | 1 | |
| 8 | Q1840812 | 六角法兰面螺栓 | Bolt with flange | 1 | |
| 9 | 1008073-051-0000 | 螺母—增压器 | Nut-turbocharger | 4 | |
| 10 | 1118014-53D | 套管—增压器 | Drivepipe-turbocharger | 4 | |
| 11 | 1118013-81D | 垫片—增压器 | Gasket-turbocharger | 1 | |
| 12 | 1003067-400-0000 | 螺母—排气歧管 | Nut-exhaust divided manifold | 6 | |
| 13 | 1118047-600-3000 | 双头螺柱—增压器 | Stud-turbocharger | 6 | |
| 14 | 1118010-81D | 涡轮增压器总成 | Turbocharger | 1 | |
| 15 | 1118031-81D | 增压器隔热罩 | Turbocharger insulation cover | 1 | |

24. 1118000-81D 涡轮增压器组件 Turbocharger Assy

| 序号 Item | 零件件号 Part NO. | 零件名称 Description | 数量 Quantity | | 备注 Remarks |
|------------|------------------|-----------------------------|-------------|--|---------------|
| | | | 81D | | |
| 16 | 1118004-201-0000 | 进油管法兰垫片 Gasket | 1 | | |
| 17 | Q1840830 | 六角法兰面螺栓 Bolt with flange | 2 | | |

25. 高压油管组件
High Pressure Line Assy

25. 1129000-81D 高压油管组件 High Pressure Line Assy



25. 1129000-81D 高压油管组件 High Pressure Line Assy

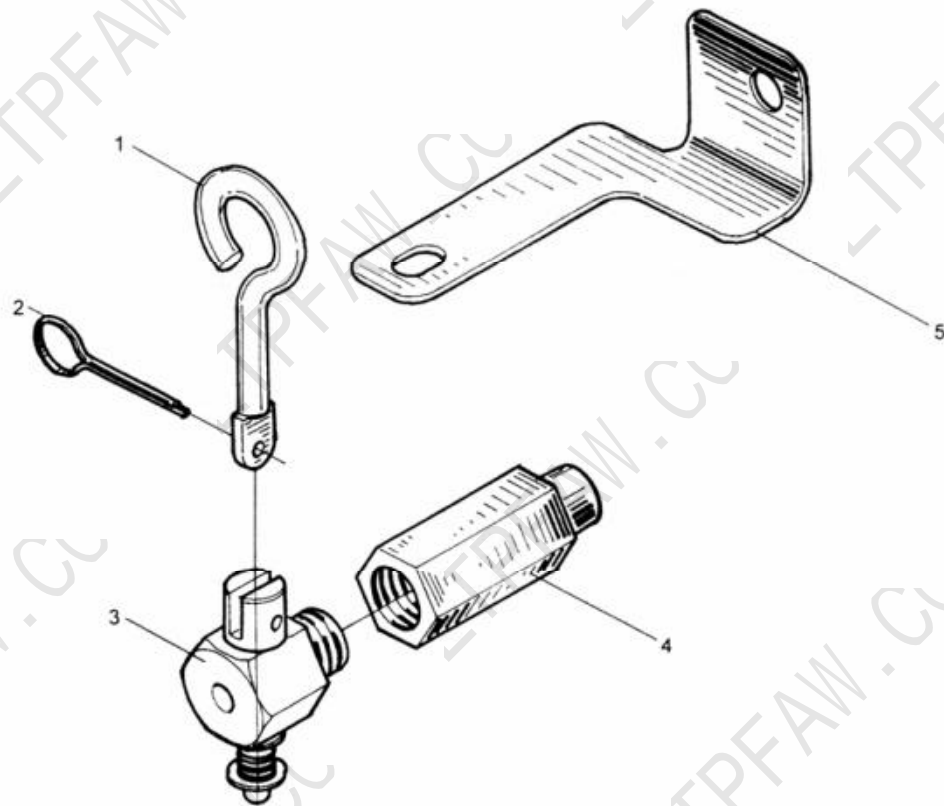
| 序号 Item | 零件件号 Part NO. | 零件名称 Description | 数量 Quantity | | 备注 Remarks |
|------------|------------------|-------------------------|--|--------|---------------|
| | | | 81D | | |
| 1 | 1129010-81D | 第一缸高压油管总成 | 1 st cylinder high pressure line | 1 | |
| 2 | 1129020-81D | 第二缸高压油管总成 | 2 nd cylinder high pressure line | 1 | |
| 3 | 1129040-81D | 第四缸高压油管总成 | 4 th cylinder high pressure line | 1 | |
| 4 | 1129030-81D | 第三缸高压油管总成 | 3 rd cylinder high pressure line | 1 | |
| 5 | Q1840835 | 六角法兰面螺栓 | Bolt with flange | 3 | |
| 6 | 1129050-81D | 第五缸高压油管总成 | 5 th cylinder high pressure line | 1 | |
| 7 | 1129080-81DJ | 高压油管总成 II- 高压油泵接高压油轨 | High pressure oil pipeline asselnbly II-high pressure oil pumper connecting high pressure oil track | 1 | |
| 8 | 1129090-73D | 高压油管网夹总成 | High pressure pipe clamP assy | 1 | |
| 9 | 1129070-81DJ | 高压油管总成 I- 高压油泵接高压油轨 | High pressure oil pipeline asselnbly II-high pressure oil pumper connecting high pressure oil track | 1 1 | |
| 10 | 1129060-81D | 第六缸高压油管总成 | 6 th cylinder high pressure line | 1 | |
| 11 | 1129110-81D | 高压油轨总成 | High pressure railassy | | |

维修纪录 Service memo

| 日期 | 公里小时或时间间隔 | 实际里程 | 保养内容 | 备注 |
|----|-----------|------|------|----|
| | | | | |
| | | | | |
| | | | | |
| | | | | |
| | | | | |
| | | | | |
| | | | | |
| | | | | |
| | | | | |
| | | | | |
| | | | | |
| | | | | |
| | | | | |
| | | | | |

26. 放水开关组件
Water Drain Cock Assy

26. 1305000-81D 放水开关组件 Water Drain Cock Assy



26. 1305000-81D 放水开关组件 Water Drain Cock Assy

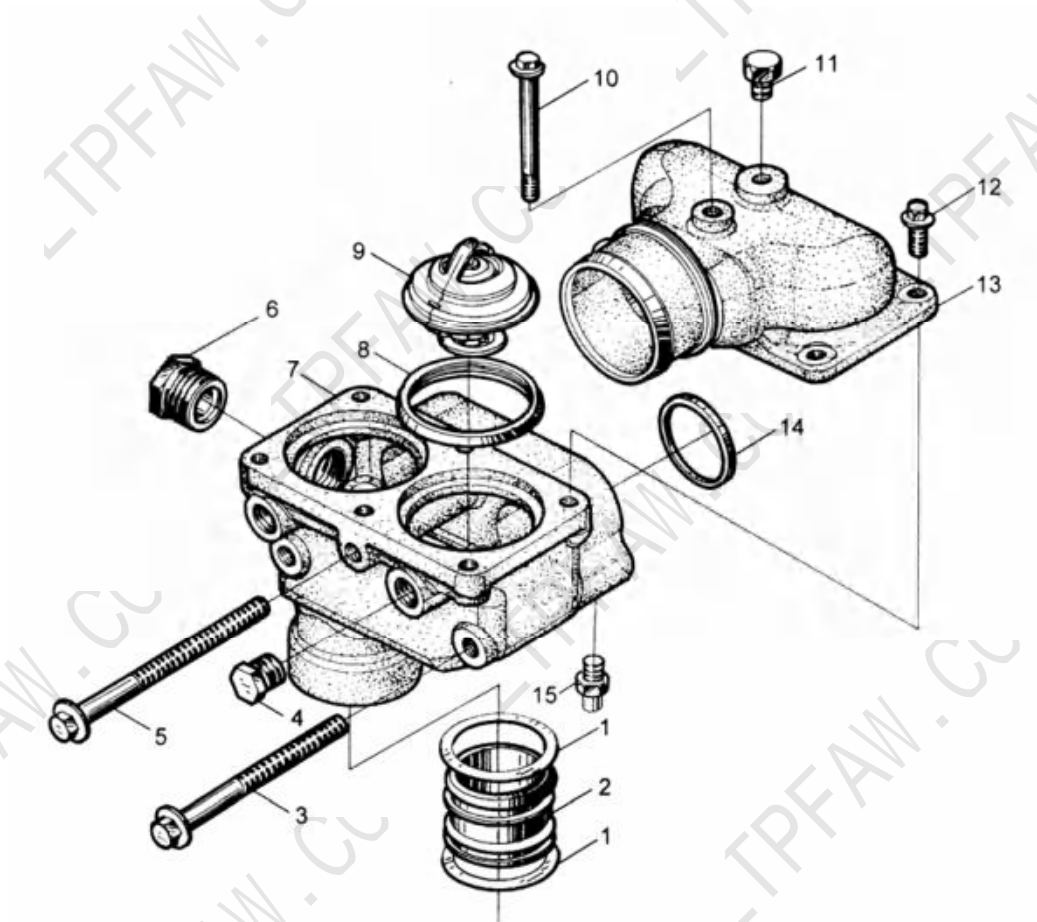
| 序号 Item | 零件件号 Part NO. | 零件名称 Description | 数量 Quantity | 备注 Remarks |
|------------|------------------|--|-------------|---------------|
| | | | 81D | |
| 1 | 1305013A29D | 放水开关手柄 Water drain cock hand | 1 | |
| 2 | Q5003225 | 开口销 Split pin | 1 | |
| 3 | 1305010-29D | 放水开关 Water drain cock | 1 | |
| 4 | 1305012-81D | 放水开关接头 Water drain cock adapter | 1 | |
| 5 | 1305016-81D | 支架—放水开关手柄 Bracket—water drain cock hand | 1 | |

维修纪录 Service memo

| 日期 | 公里小时或时间间隔 | 实际里程 | 保养内容 | 备注 |
|----|-----------|------|------|----|
| | | | | |
| | | | | |
| | | | | |
| | | | | |
| | | | | |
| | | | | |
| | | | | |
| | | | | |
| | | | | |
| | | | | |
| | | | | |
| | | | | |
| | | | | |

27. 调温器组件
Thermostat Assy

27. 1306000-81D 调温器组件 Thermostat Assy



27. 1306000-81D 调温器组件 Thermostat Assy

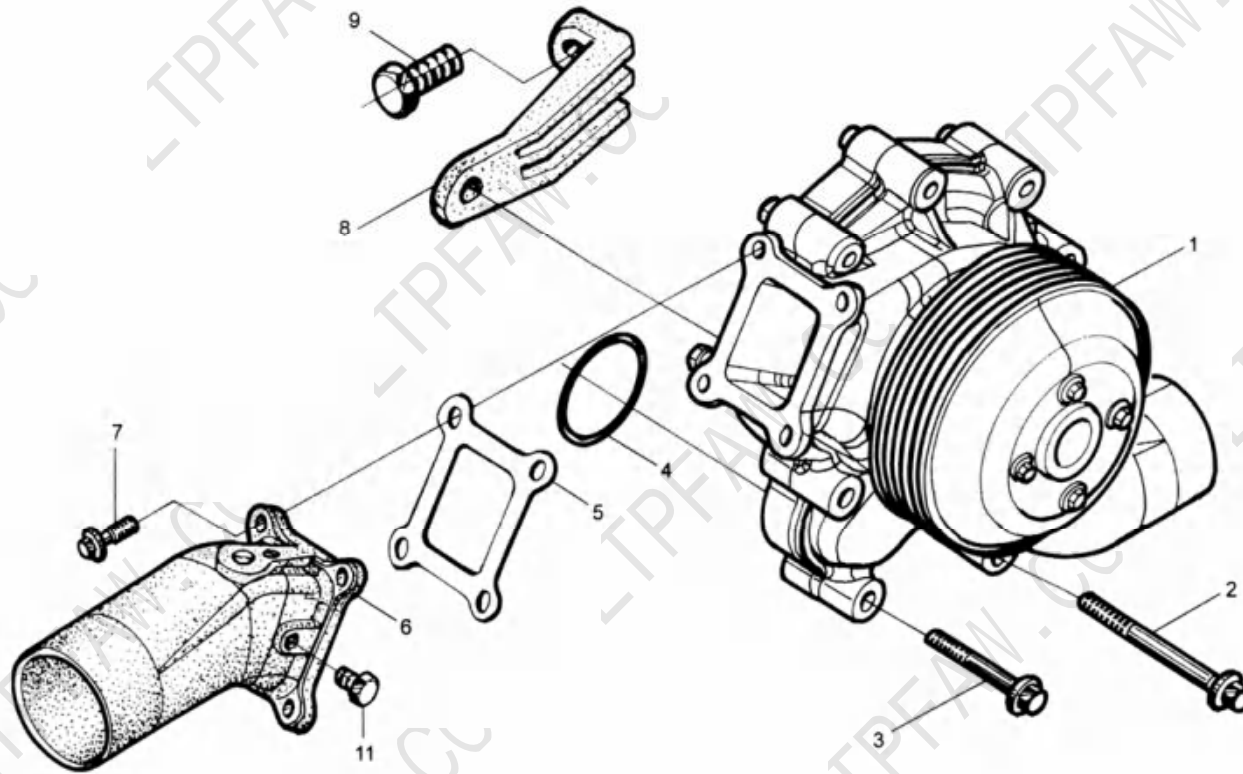
| 序号 Item | 零件件号 Part NO. | 零件名称 Description | 数量 Quantity | | 备注 Remarks |
|------------|-------------------------|---------------------|-------------------------------|---|---------------|
| | | | 81D | | |
| 1 | GB/T3452.1 46.2x5.30 | 0型橡胶密封圈 46.2x5.30 | O-ring 46.2x5.30 | 2 | |
| 2 | 1306023-53D | 小循环连接管 | Small circulate connect pipe | 1 | |
| 3 | 1306063-81D | 螺栓—调温器用 | Bolt thermostat | 2 | |
| 4 | Q618b03 | 六角头锥形螺塞 | Hexagonal-head tapered plug | 1 | |
| 5 | 1306062-81D | 螺栓—调温器用 | Bolt thermostat | 1 | |
| 6 | Q618B06 | 六角头锥形螺塞 | Hexagonal-head tapered plug | 1 | |
| 7 | 1306021-81D | 调温器座 | Thermostat housing | 1 | |
| 8 | 1306011A29D | 密封环—调温器 | Sealing ring of thermostat | 2 | |
| 9 | 1306010-81DF | 调温器总成 | Thermostat assy | 2 | |
| 10 | 1306064-81D | 螺栓—调温器 | Bolt thermostat | 1 | |
| 11 | Q618B01 | 六角头锥形螺塞 | Hexagonal-head tapered plug | 1 | |
| 12 | Q1840820 | 六角法兰面螺栓 | Bolt with flange | 5 | |
| 13 | 1306013-81D | 调温器上盖 | Thermostat cover | 1 | |
| 14 | GB3452.1-1992 41.2x3.55 | 0型橡胶密封圈 41.2x3.55 | O-ring 41.2x3.55 | 2 | |
| 15 | 3602015A630-000 | 水温传感器总成 | Water Temperature Sensor assy | 1 | |

维修纪录 Service memo

| 日期 | 公里小时或时间间隔 | 实际里程 | 保养内容 | 备注 |
|----|-----------|------|------|----|
| | | | | |
| | | | | |
| | | | | |
| | | | | |
| | | | | |
| | | | | |
| | | | | |
| | | | | |
| | | | | |
| | | | | |
| | | | | |
| | | | | |
| | | | | |
| | | | | |

28. 水泵组件
Water Pump Assy

28. 1307000-81D 水泵组件 Water Pump Assy



28. 1307000-81D 水泵组件 Water Pump Assy

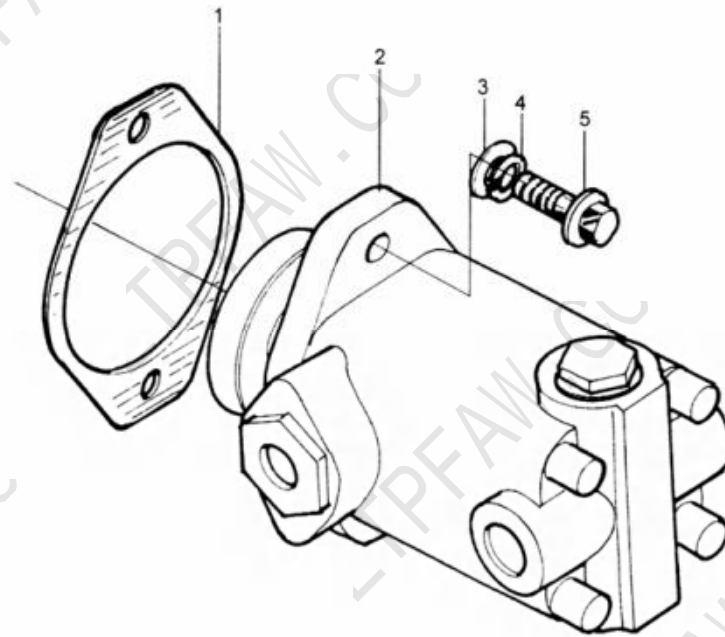
| 序号 Item | 零件件号 Part NO. | 零件名称 Description | 数量 Quantity | | 备注 Remarks |
|------------|--------------------|---------------------|--------------------------------|---|---------------|
| | | | 81D | | |
| 1 | 1307010-81D | 水泵总成 | Water pump assy | 1 | |
| | 1307010-81DY | 水泵总成 | Water pump assy | 1 | |
| 2 | 1307019-81D | 螺栓—水泵用 | Bolt-water pump | 2 | |
| 3 | Q1841065 | 六角法兰面螺栓 | Bolt with flange | 2 | |
| 4 | GB/T3452.1 53x3.55 | O型橡胶密封圈 53x3.55 | O-ring 53x3.55 | 1 | |
| 5 | 1307031-81D | 水泵进水口垫片 | Water pump water inlet pad | 1 | |
| 6 | 1307041-81D | 进水管—水泵用 | Water inlet pipe of water pump | 1 | |
| 7 | Q1840825 | 六角法兰面螺栓 | Bolt with flange | 4 | |
| 8 | 1307046-81D | 水泵支架 | Water pump bracket | 1 | |
| 9 | Q1841025 | 六角头法兰螺栓 | Bolt with flange | 1 | |
| 10 | Q618B03 | 六角头锥形螺塞 | Hexagonal-head tapered plug | 2 | |
| 11 | Q168B06 | 六角头锥形螺塞 | Hexagonal-head tapcrd plug | 1 | |

维修纪录 Service memo

| 日期 | 公里小时或时间间隔 | 实际里程 | 保养内容 | 备注 |
|----|-----------|------|------|----|
| | | | | |
| | | | | |
| | | | | |
| | | | | |
| | | | | |
| | | | | |
| | | | | |
| | | | | |
| | | | | |
| | | | | |
| | | | | |
| | | | | |
| | | | | |
| | | | | |

29. 转向泵组件
Steering Pump Assy

29. 3407000-81D 转向泵组件 Steering Pump Assy



29. 3407000-81D 转向泵组件 Steering Pump Assy

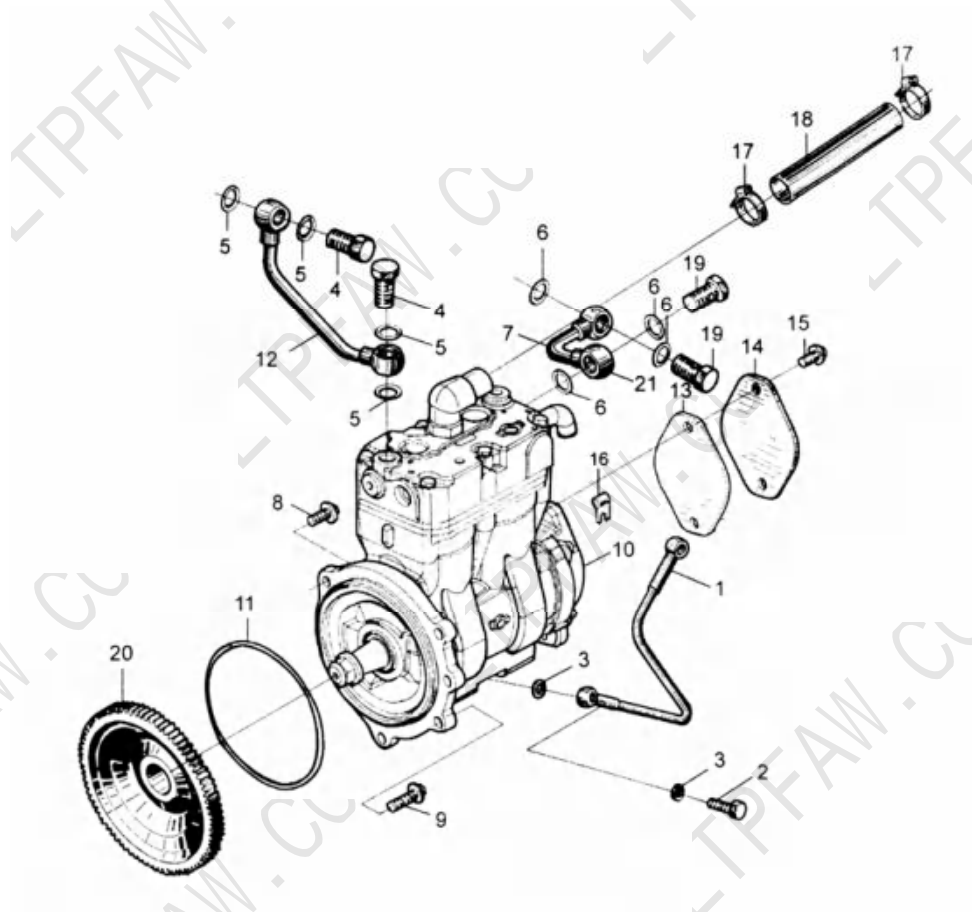
| 序号 Item | 零件件号 Part NO. | 零件名称 Description | 数量 Quantity | 备注 Remarks |
|------------|------------------|--|-------------|---------------|
| | | | 81D | |
| 1 | 3407024-29D | 密封垫-动力转向泵 Seal gasket-power steering pump | 1 | |
| 2 | 3407020-81D | 动力转向油泵总成 Power steering oil pump assy | 1 | |
| 3 | Q40110 | 垫圈 Washer | 2 | |
| 4 | Q40310 | 弹簧垫圈 Spring washer | 2 | |
| 5 | Q150B1030 | 六角头螺栓 Hexagon-headed bolt | 2 | |

维修纪录 Service memo

| 日期 | 公里小时或时间间隔 | 实际里程 | 保养内容 | 备注 |
|----|-----------|------|------|----|
| | | | | |
| | | | | |
| | | | | |
| | | | | |
| | | | | |
| | | | | |
| | | | | |
| | | | | |
| | | | | |
| | | | | |
| | | | | |
| | | | | |
| | | | | |
| | | | | |

30. 空气压缩机组件 Air Compressor Assy

30. 3509000-81DK 空气压缩机组件 Air Compressor Assy



30. 3509000-81DK 空气压缩机组件 Air Compressor Assy

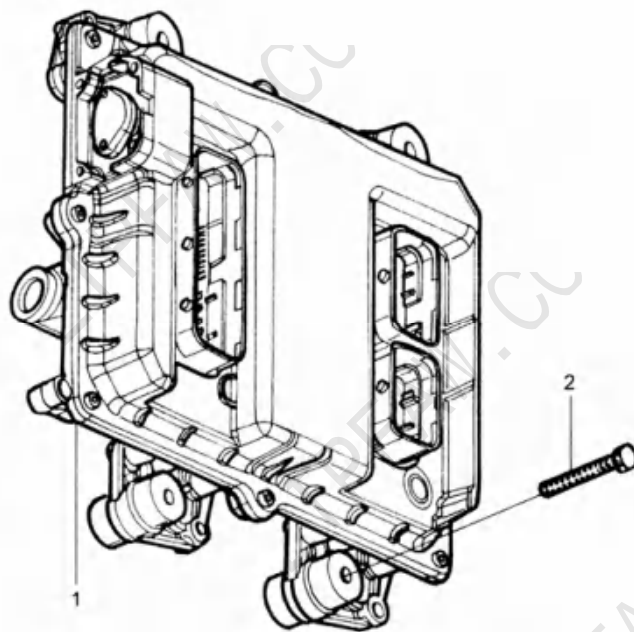
| 序号 Item | 零件件号 Part NO. | 零件名称 Description | | 数量 Quantity | 备注 Remarks |
|------------|------------------------|---------------------|---|-------------|---------------|
| | | | | 81D | |
| 1 | 3509050-81DK | 机油进油管总成-空压泵 | Lubricating oil inlet pipe assy-air compressor pump | 1 | |
| 2 | 3509053-29D | 铰接螺栓 | Hollow screw | 2 | |
| 3 | Q/WC3403-1994 | 铜垫圈 10x16 | Copper washer 10x16 | 4 | |
| 4 | Q/XC3451.1-2002 | 铰接螺栓 M18x1.5 | Hollow screw M18x1.5 | 4 | |
| 5 | Q/WC3403-1994 | 铜垫圈 18x24 | Copper washer 18x24 | 4 | |
| 6 | Q/WC3403-1994 | 铜垫圈 18x24 | Pipe connection body 18x24 | 4 | |
| 7 | 3509030-81DK | 空压泵进水管总成 | Water inlet pipe assy of the air compressor pump | 1 | |
| 8 | Q1841025 | 六角法兰面螺栓 | Bolt with flange | 1 | |
| 9 | Q1841035TF2 | 六角法兰面螺栓 | Bolt with flange | 4 | |
| 10 | 3509010A53DK | 双缸空气压缩机总成 | Air compressor assy | 1 | |
| 11 | GB3452.1-1992 150x2.65 | O型橡胶密封圈 150x2.65 | O-ring 150x2.65 | 1 | |
| 12 | 3509020-81DK | 空压泵出水管总成 | Water outlet pipe of the air compressor | 1 | |
| 13 | 3407024-29D | 密封垫-动力转向泵 | Seal pad power steering pump | 1 | |
| 14 | 3407022-322 | 盖板-动力转向泵 | Plate-power steering pump | 1 | |
| 15 | Q1841020 | 六角法兰面螺栓 | Bolt with flange | 2 | |

30. 3509000-81DK 空气压缩机组件 Air Compressor Assy

| 序号 Item | 零件件号 Part NO. | 零件名称 Description | 数量 Quantity | 备注 Remarks |
|------------|------------------------|--|-------------|---------------|
| | | | 81D | |
| 16 | 3509032-81D | 支架—空压泵进油管 Bracket—air compressor pump | 1 | |
| 17 | Q67638 | 蜗杆传动式软管环箍 Clamp | 2 | |
| 18 | 3509041-53DK | 进气胶管—双缸泵 Inlet hose pump with two cylinders | 1 | |
| 19 | Q/XC3451.1-2002M18x1.5 | 铰接螺栓 M8x1.5 Hollow screw M18x1.5 | 4 | |
| 20 | 1006047-81D | 从动齿轮—空压泵 Driven gear, air compressor | 1 | |
| 21 | Q/XC3451.2-2002 | 管接头体 Pipe connection body | 1 | |

31. 电控系统执行机构组件 Electronic Controller Assy

31. 3601000-81D 电控系统执行机构组件 Electronic Controller Assy



31. 3601000-81D 电控系统执行机构组件 Electronic Controller Assy

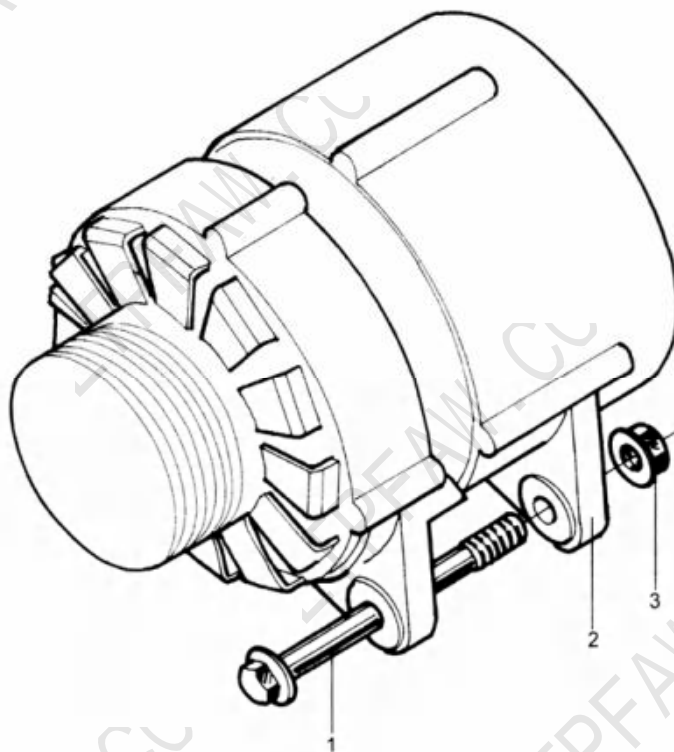
| 序号 Item | 零件件号 Part NO. | 零件名称 Description | 数量 Quantity | 备注 Remarks |
|------------|------------------|--|-------------|---------------|
| | | | 81D | |
| 1 | 3601115C630-0000 | 发动机控制单元总成 Engine control unit assy | 1 | |
| 2 | Q1420645 | 六角头螺栓和弹簧垫圈组 Hexagonal head bolt and spring washer 合件 assembly | 4 | |

维修纪录 Service memo

| 日期 | 公里小时或时间间隔 | 实际里程 | 保养内容 | 备注 |
|----|-----------|------|------|----|
| | | | | |
| | | | | |
| | | | | |
| | | | | |
| | | | | |
| | | | | |
| | | | | |
| | | | | |
| | | | | |
| | | | | |
| | | | | |
| | | | | |
| | | | | |
| | | | | |

32. 发电机组件 Generator Assy

32. 3701000-53D 发电机组件 Generator Assy



32. 3701000-53D 发电机组件 Generator Assy

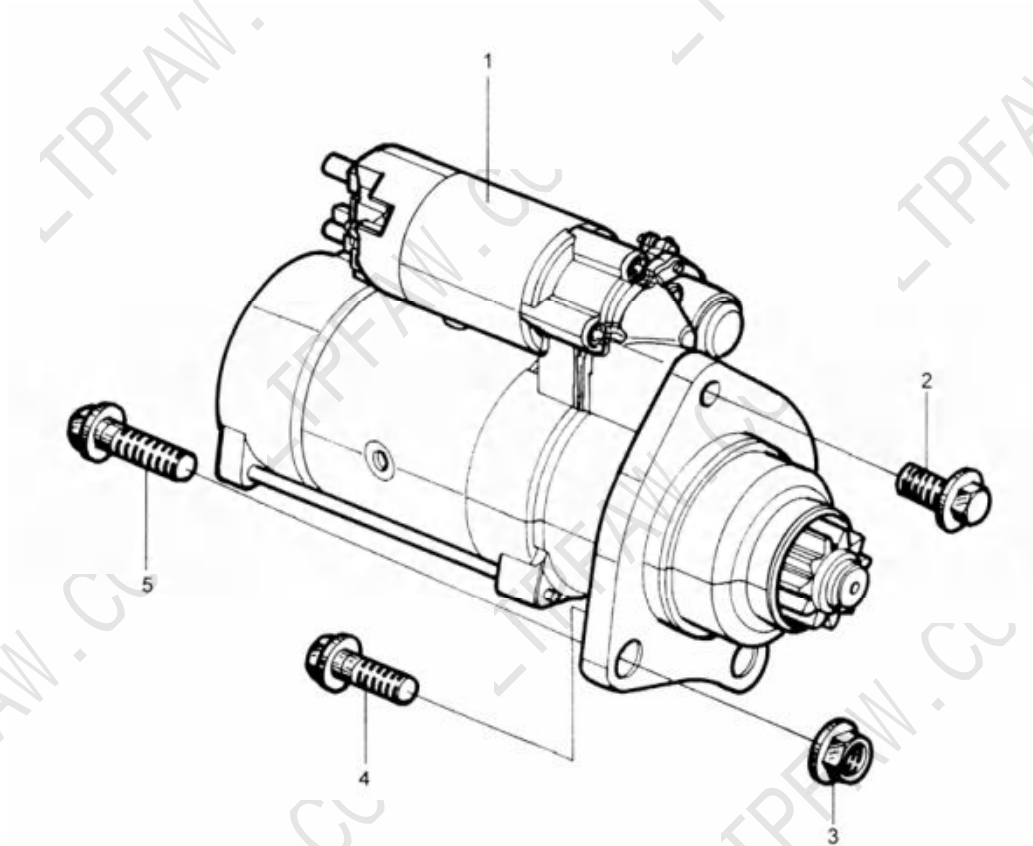
| 序号 Item | 零件件号 Part NO. | 零件名称 Description | 数量 Quantity | | 备注 Remarks |
|------------|------------------|--|-------------|---|---------------|
| | | | 81D | | |
| 1 | 3701327-53D | 螺栓—紧固交流发电机用 Bolt—fixture alternator | | 2 | |
| 2 | 3701010-36D | 交流发电机总成 Alternator assy | | 1 | |
| 3 | Q32010 | 六角法兰面螺母 Nut with flange | | 2 | |

维修纪录 Service memo

| 日期 | 公里小时或时间间隔 | 实际里程 | 保养内容 | 备注 |
|----|-----------|------|------|----|
| | | | | |
| | | | | |
| | | | | |
| | | | | |
| | | | | |
| | | | | |
| | | | | |
| | | | | |
| | | | | |
| | | | | |
| | | | | |
| | | | | |
| | | | | |
| | | | | |

33. 起动机组件 Starter Assy

33. 3708000-53D 起动机组件 Starter Assy



33. 3708000-53D 起动机组件 Starter Assy

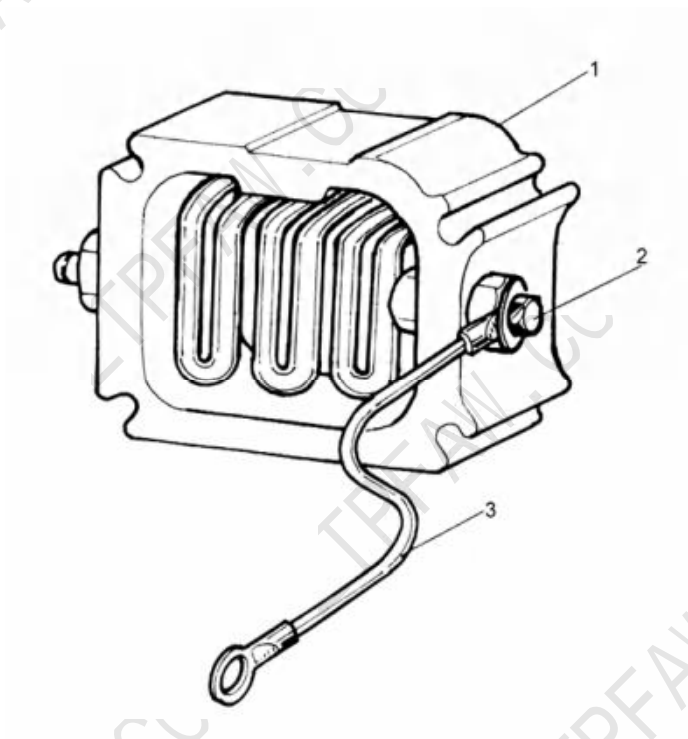
| 序号 Item | 零件件号 Part NO. | 零件名称 Description | 数量 Quantity | | 备注 Remarks |
|------------|------------------|---------------------|-------------------------|---|---------------|
| | | | 81D | | |
| 1 | 3708010-53DH | 减速起动机 | Decelerate starter assy | 1 | |
| | 3708010-53DB | 减速起动机 | Decelerate starter assy | 1 | |
| | 3708010-53DJ | 减速起动机 | Decelerate starter assy | 1 | |
| 2 | Q1841430 | 六角法兰面螺栓 | Bolt with flange | 1 | |
| 3 | Q32014 | 六角法兰面螺母 | Nut with flange | 1 | |
| 4 | Q1841450 | 六角法兰面螺栓 | Bolt with flange | 1 | |
| 5 | Q1841440 | 六角法兰面螺栓 | Bolt with flange | 1 | |

维修纪录 Service memo

| 日期 | 公里小时或时间间隔 | 实际里程 | 保养内容 | 备注 |
|----|-----------|------|------|----|
| | | | | |
| | | | | |
| | | | | |
| | | | | |
| | | | | |
| | | | | |
| | | | | |
| | | | | |
| | | | | |
| | | | | |
| | | | | |
| | | | | |
| | | | | |
| | | | | |

34. 空气加热器组件 Air Heater Assy

34. 3750000-81D 空气加热器组件 Air Heater Assy



34. 3750000-81D 空气加热器组件 Air Heater Assy

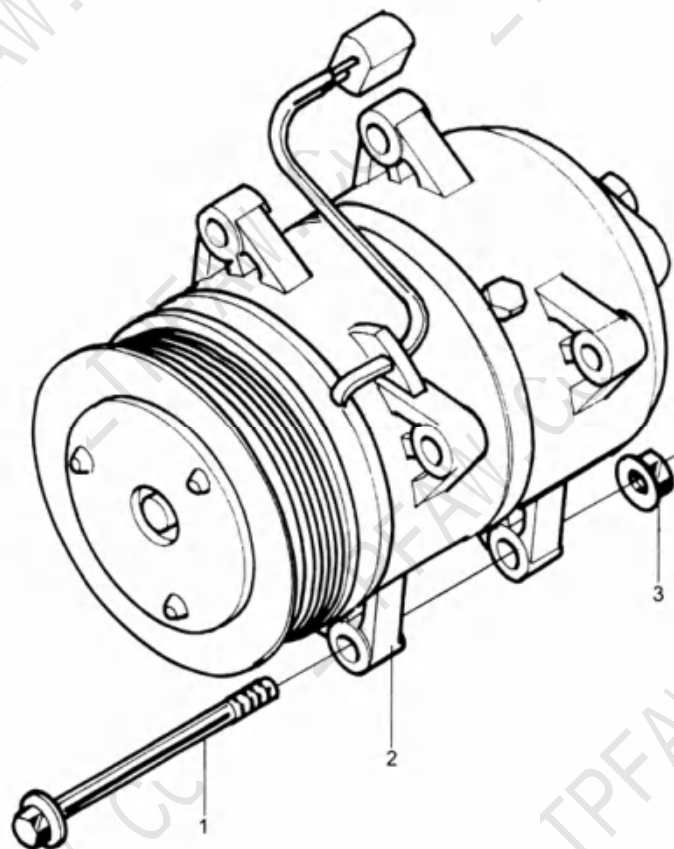
| 序号 Item | 零件件号 Part NO. | 零件名称 Description | | 数量 Quantity | 备注 Remarks |
|------------|------------------|---------------------|------------------|-------------|---------------|
| | | | | 81D | |
| 1 | 3750010-81D | 空气加热器总成 | Air Heater Assy | 1 | |
| 2 | Q1840810 | 六角法兰面螺栓 | Bolt with flange | 1 | |
| 3 | 3724500-73D | 空气加热器搭铁线总成 | Connecting wire | 1 | |

维修纪录 Service memo

| 日期 | 公里小时或时间间隔 | 实际里程 | 保养内容 | 备注 |
|----|-----------|------|------|----|
| | | | | |
| | | | | |
| | | | | |
| | | | | |
| | | | | |
| | | | | |
| | | | | |
| | | | | |
| | | | | |
| | | | | |
| | | | | |
| | | | | |
| | | | | |
| | | | | |

35. 空调压缩机组件 Conditioner Compressor Assy

35. 8103000-53D 空调压缩机组件 Conditioner Compressor Assy



35. 8103000-53D 空调压缩机组件 Conditioner Compressor Assy

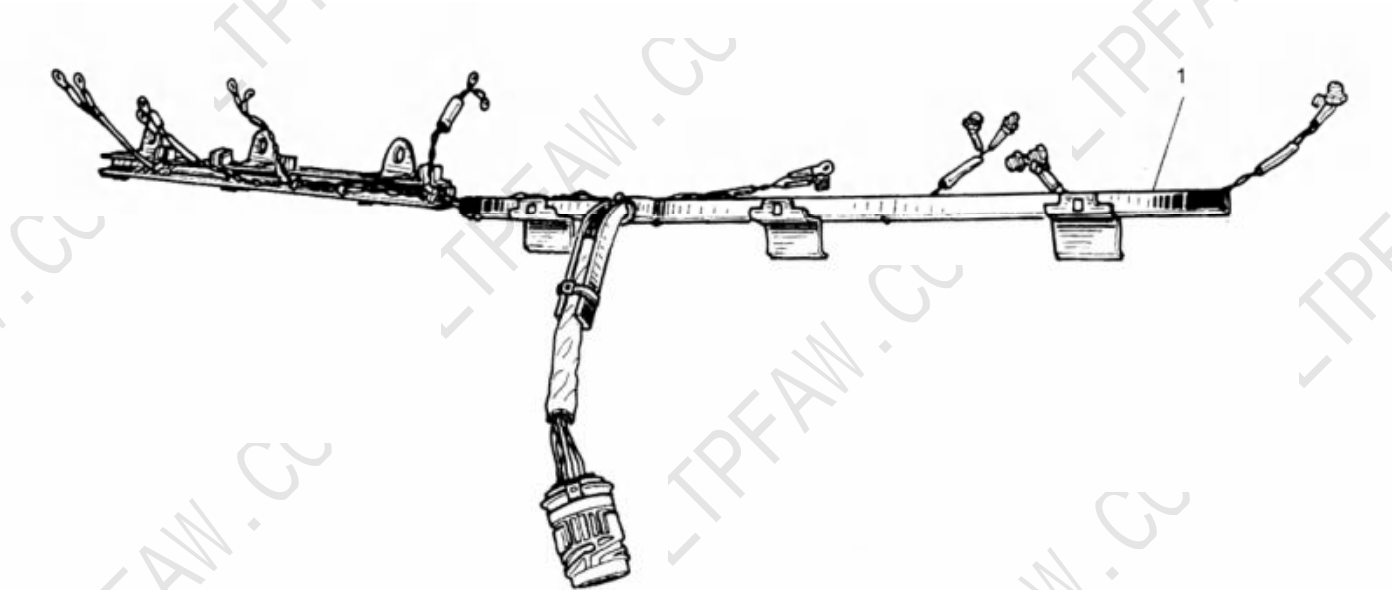
| 序号 Item | 零件件号 Part NO. | 零件名称 Description | 数量 Quantity | 备注 Remarks |
|------------|------------------|---|-------------|---------------|
| | | | 81D | |
| 1 | 3701327-53D | 螺栓-紧固交流发电机用 Bolt—fixturer alternator | 2 | |
| 2 | 8103020-53D | 冷气压缩机总成 Conditioner compressor assy | 1 | |
| 3 | Q32010 | 六角法兰面螺母 Nut with flange | 2 | |

维修纪录 Service memo

| 日期 | 公里小时或时间间隔 | 实际里程 | 保养内容 | 备注 |
|----|-----------|------|------|----|
| | | | | |
| | | | | |
| | | | | |
| | | | | |
| | | | | |
| | | | | |
| | | | | |
| | | | | |
| | | | | |
| | | | | |
| | | | | |
| | | | | |
| | | | | |
| | | | | |

36. 电气设备组件 Wiring Harness Assy

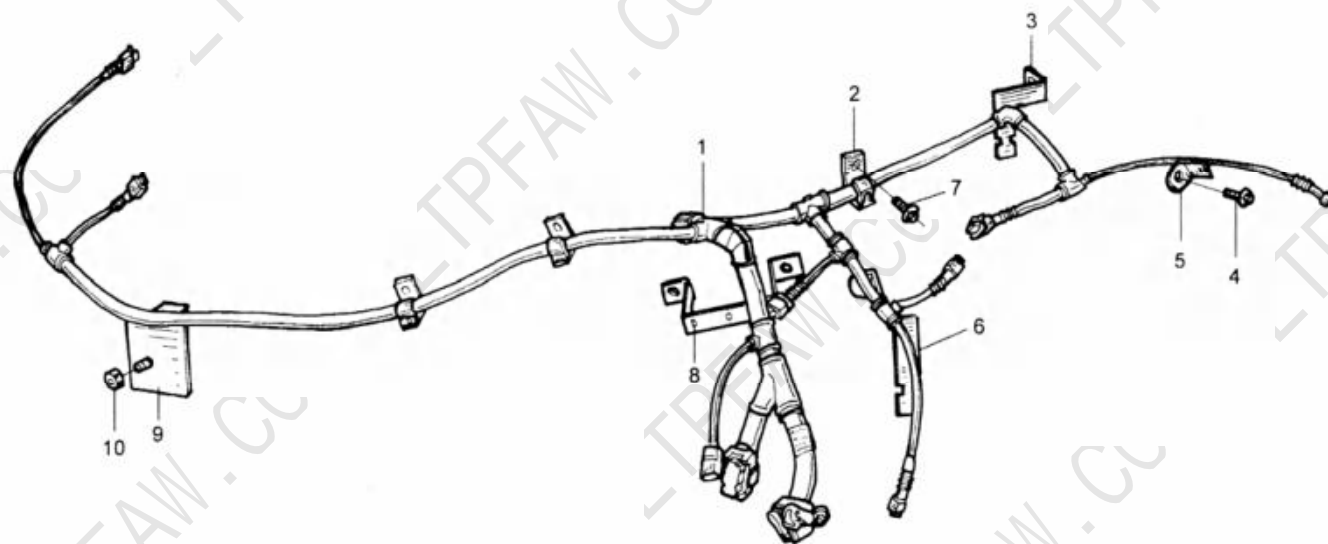
36-1. 电气设备组件 Wiring Harness Assy



36-1. 电气设备组件 Wiring Harness Assy

| 序号 Item | 零件件号 Part NO. | 零件名称 Description | 数量 Quantity | 备注 Remarks |
|------------|------------------|----------------------------------|-------------|---------------|
| | | | 81D | |
| 1 | 3724030-81D | 喷油器线束 Injector wiring harness | 1 | |

36-2. 电气设备组件 Wiring Harness Assy



36-1. 电气设备组件 Wiring Harness Assy

| 序号 Item | 零件件号 Part NO. | 零件名称 Description | 数量 Quantity | 备注 Remarks |
|------------|------------------|--|-------------|---------------|
| | | | 81D | |
| 1 | 3724080-81D | 发动机线束总成 Engine wiring harness assembly | 1 | |
| 2 | 3724026-470-0000 | 发动机线束支架 3 Engine wiring harness support 3 | 1 | |
| 3 | 3724022-81D | 发动机线束支架 1 Engine wiring harness support 1 | 1 | |
| 4 | Q1840625 | 六角法兰面螺栓 Bolt with flangt: | 2 | |
| 5 | 3724024-81D | 发动机线束支架 3 Engine wiring harness support 3 | 3 | |
| 6 | 3724023-81D | 发动机线束支架 2 Engine wiring harness support 2 | 1 | |
| 7 | Q1841020 | 六角法兰面螺栓 Bolt with flange | 4 | |
| 8 | 3724021-81D | ECU 线束支架 ECU Harness stent | 1 | |
| 9 | 3724026-621-0000 | 发动机线束支架 6 Engine wiring harness support 6 | 2 | |
| 10 | Q32006 | 六角法兰面螺母 Nut with flange | 2 | |

附录：一汽解放汽车有限公司无锡柴油机厂营销公司各驻外机构通讯录

| 区域 | 办公电话 | 传真 | E-mail | 邮编 | 通讯地址 |
|--------|--------------------------------|--------------------------------|--|------------------|---|
| 山东分公司 | 0531-87565519 | 0531-87565519 | xc_sdfgs@fawde.sina.net | 250022 | 山东省济南市张庄路172号正华园小区11号楼二单元201室 |
| 津冀分公司 | 022-24019612 | 022-24019613 | xc_jjfgs@fawde.sina.net | 300161 | 天津市河东区小卫国道金色家园10号楼3门601室(中环顺驰桥旁) |
| 河南分公司 | 0371-66526682 | 0371-66523737 | xc_hnfgs@fawde.sina.net xc_zzhsc@fawde.sina.net | 450004 | 河南省郑州市郑汴路东段英协花园·园中苑二单元2号楼101室 |
| 江苏分公司 | 025-85369450 | | xc_jsfgs@fawde.sina.net | 210007 | 南京栖霞区长营村99号23栋1单元602室 |
| 安徽分公司 | 0551-3511116 | 0551-3511116 | xc_ahfgs@fawde.sina.net | 230022 | 合肥市金寨南路金裕花园4#101室 |
| 吉林分公司 | 0431-5754916 | | xc_jlfgs@fawde.sina.net | 130000 | 挂靠长春办事处 |
| 广东分公司 | 020-87268971 | | xc_gdfigs@fawde.sina.net | 510510 | 广州市白云区沙太路竹园小区12号702室 |
| 山西分公司 | 0354-2442120 | 0354-2442120 | xc_sxfgs@fawde.sina.net | 030621 | 山西省晋中市榆太路168号一汽榆次销售服务站转锡柴 |
| 内蒙分公司 | 0472-7157111 | 0472-7157111 | xc_nmfigs@fawde.sina.net | 014040 | 包头市九原区210国道车管所南100米处名驰销售有限公司 |
| 上海分公司 | 021-56307011 | 021-56307011 | xc_shfgs@fawde.sina.net | 200081 201801 | 上海市虹口区欧阳路498号转一汽解放锡柴分公司 上海市花园路118弄22号17-1702锡柴 |
| 江西分公司 | 0791-6596910 | 0791-6596910 | xc_gxfgs@fawde.sina.net | 330020 | 江西省南昌市迎宾大道1399号江西洪城汽配城展示厅转锡柴 |
| 辽宁分公司 | 024-88459856 | 024-88459856 | xc_lnfgs@fawde.sina.net | 110043 | 沈阳市大东区东陵西路17号转锡柴办 |
| 陕西分公司 | 13759940521 | 029-85251695 | xc_sx2fgs@fawde.sina.net | 710065 | 陕西省西安市朱雀大街青松路1号一汽西安服务站转锡柴 |
| 黑龙江分公司 | 0451-82657249 0451-55611552 | 0451-82651141 0451-55611552 | xc_hrbjd@fawde.sina.net | 150001 150036 | 哈尔滨市南岗区文昌街103号 哈尔滨市香坊区消防胡同一号楼三单元301室 |
| 佳联办事处 | 0454-8667590 | 0454-8667590 | xc_jlbse@fawde.sina.net | 154002 | 黑龙江省佳木斯市佳联小区25号楼1单元602室 |
| 福建分公司 | 0595-85951308 | 0595-85952178 | xc_fjfgs@fawde.sina.net | 362213 | 泉州市晋江紫帽镇后厝街324国道202公里处诚达交通技术服务公司内锡柴福建分公司 |
| 湖南分公司 | 0731-4760673 0731-4016192 | | xc_hunfgs@fawde.sina.net | 410001 410100 | 湖南长沙市远大一路700号一汽贸易湖南分公司转锡柴 湖南长沙市星沙开发区三一一路118号一汽长沙服务站转锡柴 |
| 北京分公司 | 010-67492672 | 010-67492672 | xc_bjfgs@fawde.sina.net | 100023 | 北京市朝阳区弘燕路周庄嘉园1栋5单元501室 |
| 浙江分公司 | 0571-88016402 | 0571-88016402 | xc_zjfgs@fawde.sina.net | 310015 | 杭州市石祥路236号杭州世方汽配销售有限公司转锡柴 |

| 区域 | 办公电话 | 传真 | E-mail | 邮编 | 通讯地址 |
|----------------|------------------------------|---------------|--|------------------|---|
| 甘宁青分公司 | 0931-8354747 | 0931-8354747 | xc_gnqfgs@fawde.sina.net | 730050 | 兰州市109国道七公里(盐场堡收费站旁)一汽解放公司转 |
| 新疆分公司 | 0991-3672103 0991-8750650 | 0991-8750650 | xc_xjfgs@fawde.sina.net | 830054 830054 | 乌鲁木齐市阿勒泰路36号汇美园4-2-302 乌鲁木齐市阿勒泰路20号嘉和园悦园12-4-302 |
| 川渝藏分公司 | 023-68638040 | 023-68629374 | xc_czfgs@fawde.sina.net | 400040 | 重庆市科园四路雅典楼二单元8-3 |
| 湖北分公司 | 027-84625680 | 027-84625680 | xc_hbfgs@fawde.sina.net | 430051 | 武汉市汉阳区玫瑰新苑十里新村230-101室 |
| | 0719-8873519 | 0719-8688173 | xc_hb2bsc@fawde.sina.net | 442000 | 湖北十堰市二汽机关宿舍25栋2单元402室 |
| 云南分公司 | 0871-8186451 | 0871-8186451 | xc_ynfgs@fawde.sina.net | 650100 | 昆明市西山区马街兴苑路西丽园小区九幢三单元201室 |
| 贵州分公司 | 0851-4855451 | | xc_gzfgs@fawde.sina.net | 550009 | 贵阳市小河区锦江路108号贵航大院106幢二单元2号 |
| 海南分公司 | | 0898-68926200 | xc_hainfgs@fawde.sina.net | 570311 | 海口市海秀大道120号顺发新村37号502室 |
| 长春办事处 | 0431-85754916 | 0431-85754926 | xc_cchsc@fawde.sina.net | 130011 | 长春市一汽四环大厦5楼中厅锡柴长春办 |
| | 0431-85991495 | 0431-85991495 | | 130011 | 长春市一汽汽车厂区430-5栋1门1楼 |
| 青岛办事处 | 0532-84815563 | | xc_qdbsc@fawde.sina.net | 266043 | 青岛市邮政局娄山后村2单元9号楼锡柴青岛办事处 |
| 柳州办事处 | 0772-3122296 0772-3127929 | 0772-3122296 | xc_lzbsc@fawde.sina.net | 545006 | 柳州市社湾路26号柳州特种汽车厂转锡柴柳州办事处 |
| 江浙办事处 苏州办事处 | 0571-87665510 | 0512-65316755 | xc_jzbsc@fawde.sina.net xc_szbsc@fawde.sina.net | 215008 | 苏州市玻纤路北五泾浜24-2中单元502室 |
| 华北办事处 | | | xc_hbbsc@fawde.sina.net | 100070 | 北京市丰台区樊家村甲4号院5号楼4单元302室 |
| 广平办事处 | 0310-2516621 | 0310-2516621 | xc_gpbsc@fawde.sina.net | 057650 | 河北广平县东城南段宇康公司供应处转锡柴 |
| 辽宁办事处 | | 0415-2526770 | xc_lnbsc@fawde.sina.net | 118000 | 丹东市振兴区兴一路铁路6号楼6单元413室 |
| 深圳办事处 | | | xc_gdbsc@fawde.sina.net | | 深圳市宝安区新安湖花园新望阁208室 |
| 中南办事处 | 0731-4878926 | 0731-4878926 | xc_csjd@fawde.sina.net | 410100 | 长沙市星沙镇天华北路28号山水芙蓉小区2Y4-3-301 |
| 西南办事处 | 028-84815877 | 028-84815581 | xc_cxdjd@fawde.sina.net | 610066 | 成都市龙泉驿区大面镇青山八组成都怡帆车业有限公司转锡柴 |
| 合肥基地 | 0551-3412280 | 0551-3524260 | xc_hfjd@fawde.sina.net | 230022 | 合肥市金寨南路金邦花园24#303室 |
| 潍坊基地 | 0536-8686605 | 0536-8285548 | xc_wfjd@fawde.sina.net | 261031 | 山东纺织职业学院家属院3号楼西单元201室 |
| 南京基地 | 025-52610025 | 025-52610025 | xc_njjd@fawde.sina.net | 210000 | 南京市秦淮区乔虹苑24幢83号202室 |